

HP SERIES

HIGH PRESSURE, HIGH FLOW FLAT FACE COUPLINGS

INTRODUCTION

HP Series couplings have been designed for use in systems working at pressures up to 720 bar. There are two basic sizes, the A5HP and A9HP. One of the most important benefits of these couplings is 'no fluid spillage on disconnection'. The high flow ratings of these couplings make them ideal for use with high pressure motorised power units, particularly when low pressure loss is important.

APPLICATIONS

High pressure plant and equipment operating on mineral oil. Rail industries, torque wrenches and bolt tensioners.

UNIQUE SAFETY FEATURE

HP Series couplings incorporate a unique safety feature to prevent accidental disconnection - a spring loaded locking sleeve. When the coupling halves are connected, the locking sleeve automatically rotates through 90°. To disconnect the coupling the locking sleeve is turned back 90° so the locking ball is aligned with the release notch. The sleeve is then pulled back and the coupling will disconnect.

ADVANTAGES

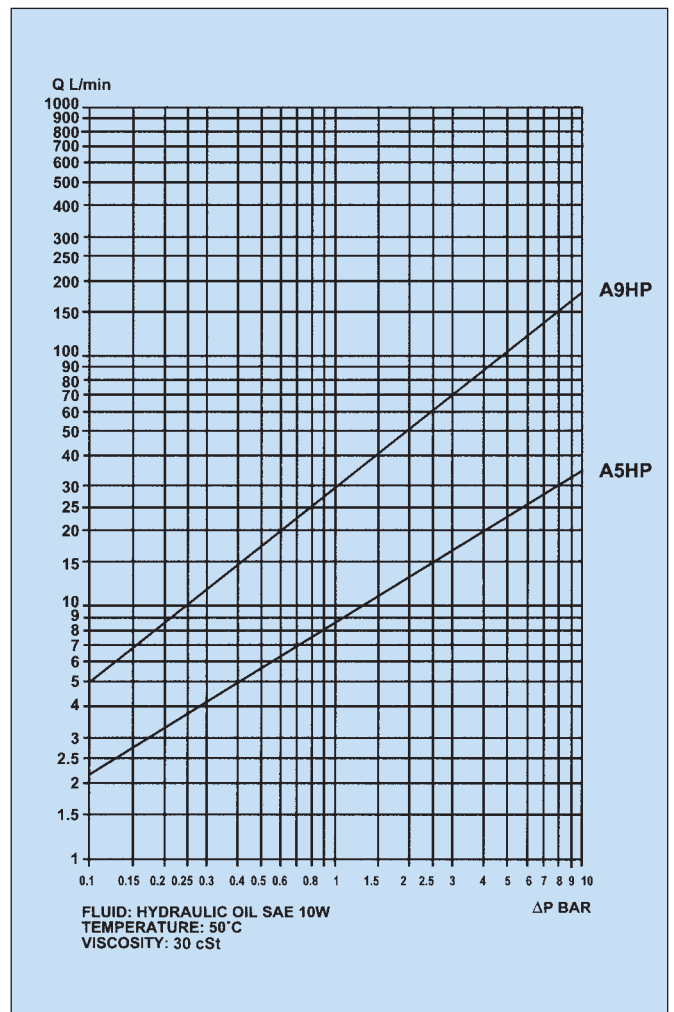
- ★ Flat faces can easily be wiped clean before connection to prevent the ingress of contaminants into the circuit.
- ★ Clean disconnection - non-spill design.
- ★ No air intrusion during connection.
- ★ Streamlined flow path minimises pressure drop.
- ★ Locking sleeve prevents accidental disconnection.
- ★ Bi-directional flow

MATERIALS

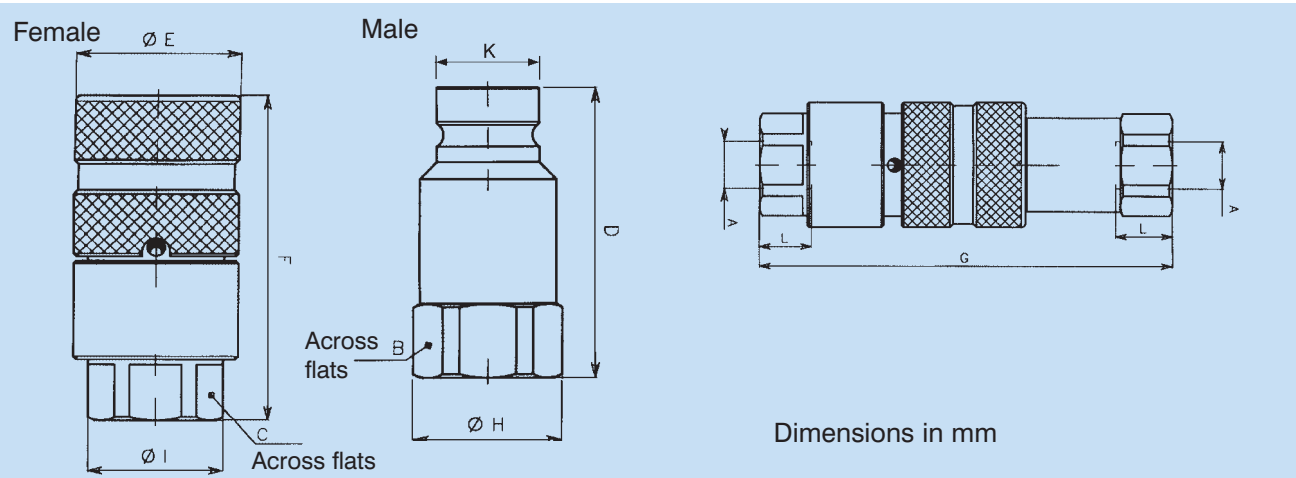
Zinc plated carbon steel body with a 302 stainless steel spring. Nitrile rubber and Teflon seals. *Other seal materials available on request.*



PRESSURE DROP



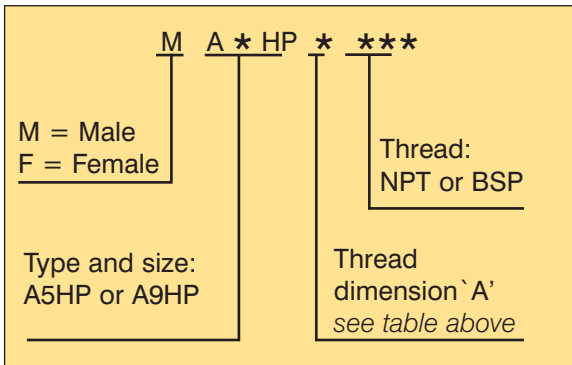
HP SERIES, HIGH PRESSURE, HIGH FLOW, FLAT FACE COUPLINGS



DIMENSIONS

Type and size	Nominal diameter	A	B	C	D	E	F	G	H	I	K	L	Connection force (N)	Weight (kg)
A5HP	5	1/4"	22	22	48	29	58	95	24	24	16.6	12.5	150	0.3
A9HP	9	3/8"	27	30	61	34	70	114	30	32	19.5	14.5	155	0.46

ORDER CODES



PRESSURE RATINGS

Size	Maximum working pressure (bar)	Burst pressure coupled (bar)	Burst pressure male (bar)	Burst pressure female (bar)
A5HP	720	1800	2000	1800
A9HP	720	1500	2000	1500