

'A' SERIES

PREMIER PLUS

INTRODUCTION

Holmbury Premier Plus 'A' Series, flat face, quick release, hydraulic couplings provide a superior alternative to the standard Premier Range FIRG Series. In comparison, Premier Plus couplings have higher pressure ratings, higher flow ratings, lower pressure drop, greater resistance to Brinelling and are available with a selection of connector options.

Premier Plus 'A' Series and Premier Range FIRG Series couplings are not dimensionally identical, but they are fully interconnectable. Note, they have different working pressure ratings which must be observed.

CONNECTION UNDER PRESSURE

Premier Plus 'A' Series couplings can be used with Holmbury APM Series connect under pressure couplings. See APM leaflet for further details.

APPLICATIONS

Flat face couplings are particularly suitable for dirty and dusty site conditions, since the mating faces are easily cleaned before connection. Their design and construction also enables them to operate successfully in applications involving high pressure pulses. They are suitable for agricultural equipment, construction plant, mobile equipment, factory and general industrial plant.

OPERATION

To couple - wipe the mating faces clean and push the two halves together until they click shut. Twist the sleeve and coupling is locked.

To release - align the notched sleeve with the ball, pull back the sleeve and the coupling springs apart.

ADVANTAGES

- ★ Flat mating faces are easily wiped clean to prevent the ingress of contaminants.
- ★ Dust caps are optional.
- ★ Streamlined internal flow path minimizes the pressure drop.
- ★ Non-spill design avoids fluid loss during connection and disconnection.
- ★ No air intrusion during connection.
- ★ Locking sleeve prevents accidental disconnection.
- ★ Bi-directional flow.
- ★ Couplings can rotate when connected.
- ★ A9 (3/8" and 1/2") couplings comply with HTMA interface requirements and are interchangeable.
- ★ Conforms to current ISO 16028 Standard.

SPECIFICATION

- Maximum pressure for hand connection when female is pressurized: from 20 bar for A4 to 1 bar for A30.
Maximum pressure for hand connection when male is pressurized: from 1 bar for A4 to 0.5 bar for A30.
- Operating temperature range: -20°C to +100°C.
- Fluid loss during disconnection: zero to 0.02ml.



- PLUS** More Locking Balls
- PLUS** Higher Pressure Ratings
- PLUS** Better Flow Characteristics
- PLUS** More Connector Options

ANTI-BRINELLING FEATURES

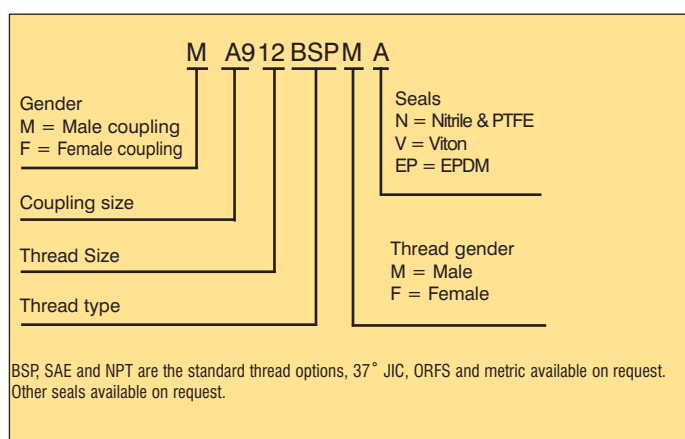
- ★ 8 Ball locking mechanism in A4 couplings
- ★ 12 Ball locking mechanism in A7 and A9 couplings.
- ★ 15 Ball locking mechanism in A13 - A17 couplings.
- ★ 12 Balls in A21 couplings.
- ★ 18 Balls in A30 couplings.
- ★ Closely toleranced male and female mating diameters to ensure equal ball loading.

FLAT FACE COUPLINGS

PRESSURE RATINGS

SIZE \ PRESSURE	A4	A7	A9	A13	A15	A17	A21	A30
Maximum working pressure coupled	400 bar 5800 psi	400 bar 5800 psi	375 bar 5400 psi	350 bar 5100psi	350 bar 5100psi	350 bar 5100psi	350 bar 5100psi	250 bar 3600 psi
Burst pressure coupled	1400 bar 20,300 psi	1200 bar 17,400 psi	1100 bar 15,950 psi	1100 bar 15,950 psi	1100 bar 15,950 psi	1100 bar 15,950 psi	1100 bar 15,950 psi	1000 bar 14,500 psi
Burst pressure male	1600 bar 23,200 psi	1200 bar 17,400 psi	1100 bar 15,950 psi	1100 bar 15,950 psi	1100 bar 15,950 psi	1100 bar 15,950 psi	1100 bar 15,950 psi	1000 bar 14,500 psi
Burst pressure female	1400 bar 20,300 psi	1100 bar 15,950 psi	1100 bar 15,950 psi	1000 bar 14,500 psi	900 bar 13,050 psi	900 bar 13,050 psi	800 bar 11,600 psi	800 bar 11,600 psi

ORDER CODES



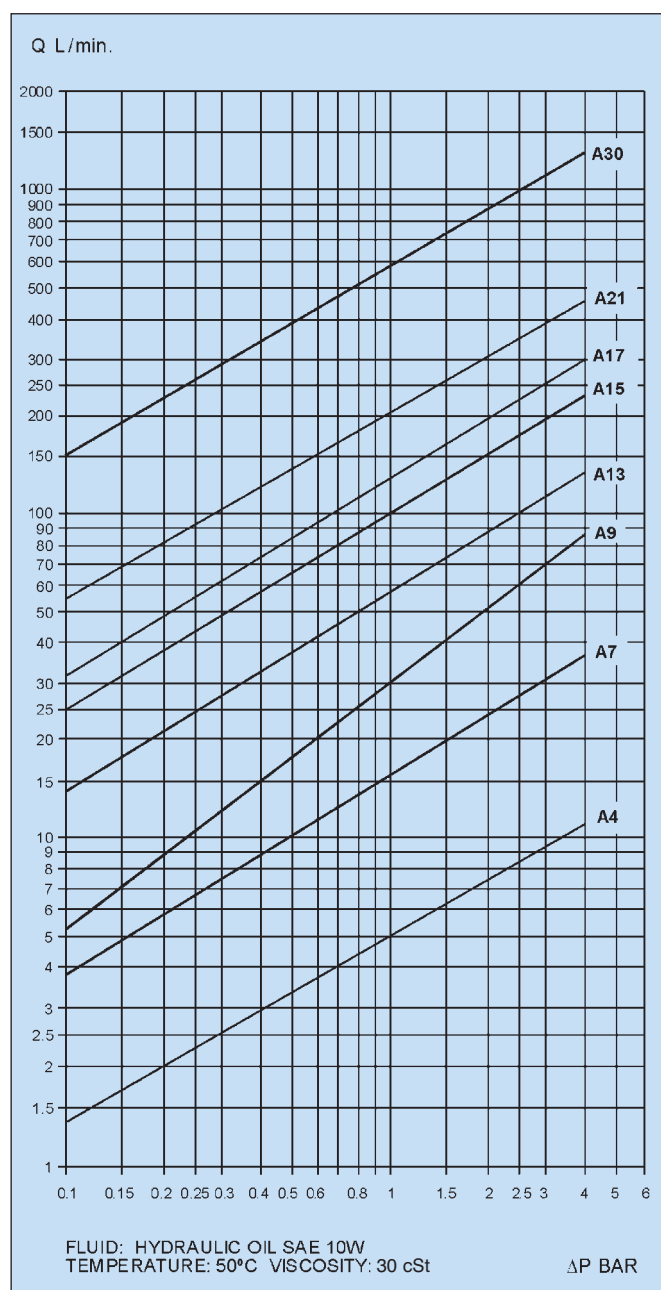
CIRCUIT RECOMMENDATIONS

Pressurising couplings whilst disconnected is not recommended; if unavoidable, the male should be pressurised in preference to the female. When disconnected couplings are pressurised, it is important to ensure the pressure (steady state or peak value in a pulsing circuit), does not exceed the figure shown in the table above for "Maximum working pressure coupled". Couplings should not be exposed to excessive side loads caused by tight hose bends or long, unsupported hose runs. For further advice please see "Guidelines for the care and operation of Holmbury flat face couplings".

DUST CAPS - SEE PAGE 52

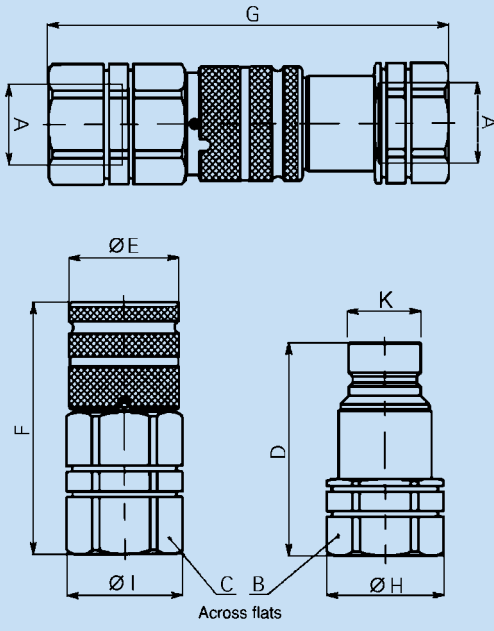


PRESSURE DROP CHARACTERISTICS



'A' SERIES PREMIER PLUS

COUPLINGS WITH FEMALE CONNECTORS



FEMALE
coupling with
female connector

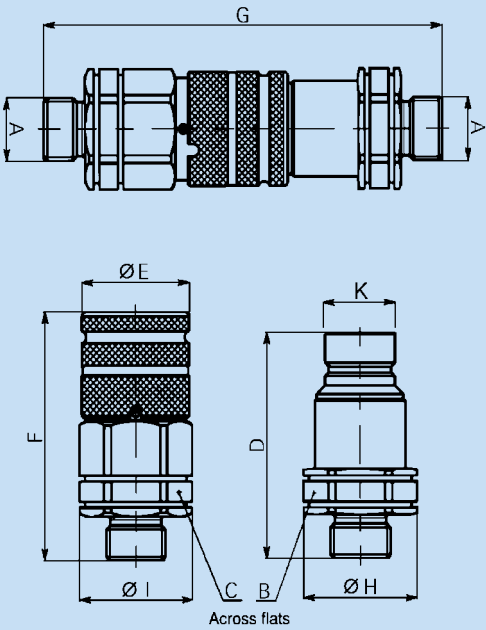
MALE
coupling with
female connector

DIMENSIONAL DATA (mm)

Size	Nominal diameter	A*	B	C	D	E	F	G*	H	I	K	Weight (kg)
A4	4	1/8"	17	19	36.5	20	40	68.5	18.5	20.5	11.6	0.11
A7	7	1/4"	22	27	48	28	53	90.5	24	29	16.2	0.25
A9	9	3/8"	27	30	60	32	64.5	109	29	32	19.8	0.41
A9	9	1/2"	27	30	62.5	32	69.5	116.5	29	32	19.8	0.42
A13	13	1/2"	36	36	68	38	76.5	127.5	40	40	24.5	0.73
A13	13	3/4"	36	36	70.5	38	83.5	137	40	40	24.5	0.72
A15	16	3/4"	36	41	73	42	83.5	139.5	38.5	45	27	0.92
A17	19	1"	46	46	84	48	98.5	161	50	50	30	1.35
A21	25	1 1/4"	55	55	90	55	105	173	60	60	36	1.97
A30	32	1 1/2"	65	65	111	80	132.5	215	70	82	57	4.95

* Dimensions for BSP and NPT threads. (SAE, 37° JIC, ORFS and Metric also available)

COUPLINGS WITH MALE CONNECTORS



FEMALE
coupling with
male connector

MALE
coupling with
male connector

DIMENSIONAL DATA (mm)

Size	Nominal diameter	A*	B	C	D	E	F	G	H	I	K	Weight (kg)
A4	4	1/8"	17	19	40	20	43	75.7	18.5	20.5	11.6	0.11
A7	7	1/4"	22	27	53	28	60	95.5	24	29	16.2	0.22
A9	9	3/8"	27	30	66	32	69.5	120	29	32	19.8	0.36
A9	9	1/2"	27	30	67.5	32	71	123	29	32	19.8	0.38
A13	13	1/2"	36	36	74.5	38	82.5	140	40	40	24.5	0.65
A13	13	3/4"	36	36	76.5	38	84.5	144	40	40	24.5	0.68
A15	16	3/4"	36	41	76.5	42	80	139.5	38.5	45	27	0.85
A17	19	1"	46	46	89	48	105	172.5	0	50	30	1.25
A21	25	1 1/4"	55	55	95	55	110	183	60	60	36	1.8
A30	32	1 1/2"	65	65	113.5	80	135	220	70	82	57	4.65

* Dimensions for BSP and NPT threads. (SAE, 37° JIC, ORFS and Metric also available)