

VEP SERIES SCREWED COUPLINGS

INTRODUCTION

Holmbury VEP Series Screwed Couplings are ideal for systems subjected to high pressure pulses since they are immune to Brinelling.

ADVANTAGES

- ★ Connect and disconnect under pressure
- ★ Screw thread connection eliminates Brinelling
- ★ Flat faces easily wiped clean to prevent ingress of contaminants
- ★ Non-spill design avoids fluid loss during connection and disconnection
- ★ Bi-directional flow with low pressure drop

SPECIFICATION

Operating temperature range: -20°C to +100°C
Fluid loss during disconnection: zero to 0.02ml
Materials: QPQ hardened carbon steel body, other external parts zinc plated. PTFE and nitrile seals.

APPLICATIONS

Hand held and excavator mounted breakers, shears and all systems subject to high pressure pulses. Any system where connection or disconnection under pressure is required. All systems where the security of a screw connector is needed.

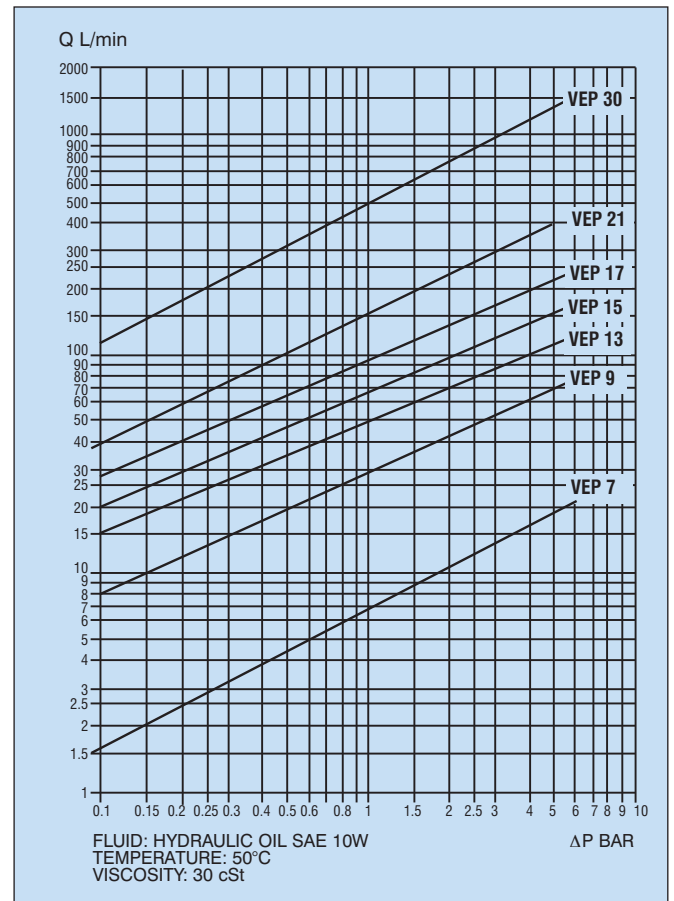
CONNECTION

When connecting the two halves, ensure the sleeve on the female butts up against the shoulder of the male. Nip tight with spanners to avoid the risk of unscrewing during use.

If torsional forces will be exerted on the hoses, use a Holmbury GGIL rotary coupling.



PRESSURE DROP CHARACTERISTICS



DUST CAPS - SEE PAGE 52

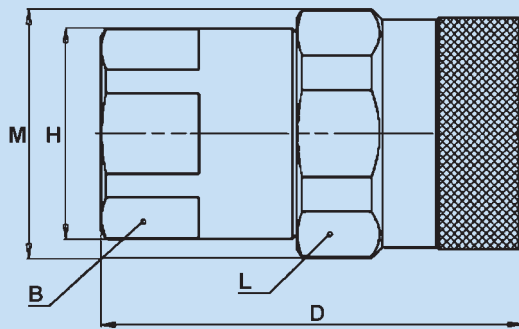
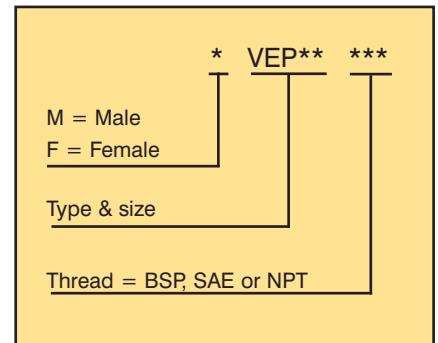


VEP SERIES, SCREWED COUPLINGS

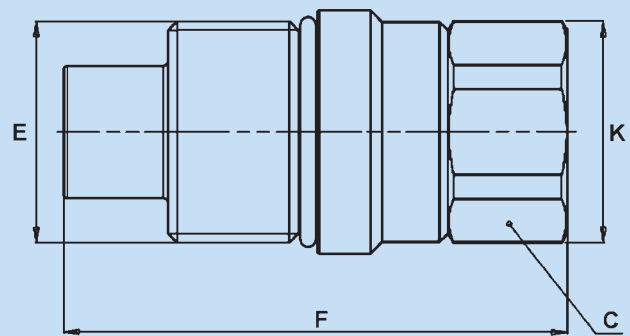
PRESSURE RATINGS (bar)

Classification \ Size	VEP 7	VEP 9	VEP 13	VEP 15	VEP 17	VEP 21	VEP 30
Maximum working pressure coupled	600	550	550	550	525	500	400
Burst pressure coupled	1500	1400	1400	1400	1350	1250	1200
Burst pressure Male	1500	1400	1400	1400	1500	1500	1200
Burst pressure Female	1260	1000	1000	1000	1000	800	800

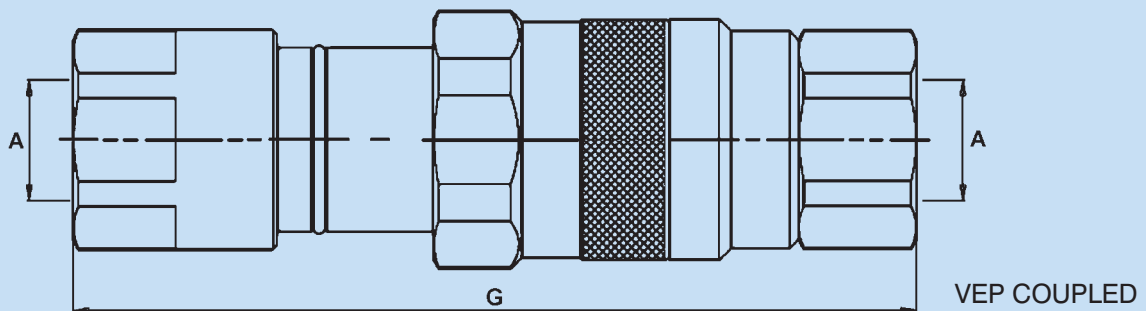
ORDER CODES



VEP FEMALE



VEP MALE



VEP COUPLED

TYPE	ND	A	B	C	D	E	F	G	H	K	L	M
VEP 7 1/4	7	1/4"	27	22	54.1	M30 x 2	71.0	90	29	24	36	38.8
VEP 9 3/8	9	3/8"	30	27	65.8	M33 x 2	82.5	131	32	29	38	41.8
VEP 9 1/2	9	1/2"	30	27	65.8	M33 x 2	82.5	131	32	29	38	41.8
VEP 13 1/2	13	1/2"	36	36	77.8	M40 x 2	95.0	155	45.8	40	46	49.8
VEP 13 3/4	13	3/4"	36	36	77.8	M40 x 2	100.0	160	45.8	40	46	49.8
VEP 15 3/4	16	3/4"	41	36	84.9	M46 x 3	99.0	165	44.9	38.5	50	53.3
VEP 17 1	19	1"	46	46	99.7	M50 x 3	113.6	190.4	49.8	49.8	55	54.8
VEP 21 1 1/4	25	1 1/4"	55	55	106.8	M58 x 3	123.4	170	59.8	64.5	65	69.8
VEP 30 1 1/2	32	1 1/2"	65	65	133.5	M72 x 4 Square Thread	150.0	256	89.8	82	85	92