

## GR SERIES MANUALLY OPERATED MULTI-COUPLING PLATE CONNECTOR

### INTRODUCTION

Holmbury GR Series plate connectors are designed to connect up to ten flat face couplings simultaneously. Connection is made manually and requires little physical effort.

GR units consist of two parts – the **Mobile Plate** onto which the couplings from the attachment are secured and the **Fixed Plate with locking handle** which will normally be mounted on the vehicle (or equipment).

GR units can be fitted with connect-under-pressure couplings or standard flat face couplings.

### APPLICATIONS

Agricultural, municipal and commercial vehicles and construction plant. All types of industrial equipment where multiple hose connections need to be made simultaneously.

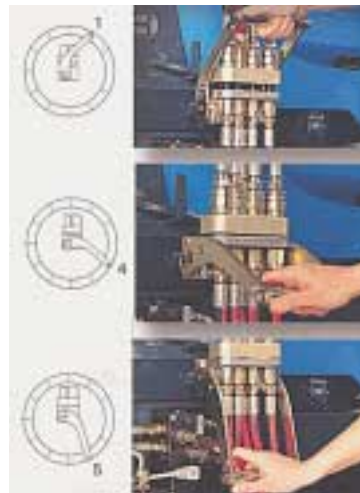
### ADVANTAGES

- ★ Rapid connection and disconnection of up to 10 hydraulic hose lines.
- ★ Clean connections easily attained by using dust covers and wiping the easily accessible flat face couplings prior to connection.
- ★ Compact size.
- ★ Couplings do not require locking balls, so Brinelling in high pressure pulse applications is eliminated.
- ★ Individual female couplings can be connected manually to the male couplings on the Fixed Plate - this can be very convenient for the connection of attachments that are not fitted with a Mobile Plate. It can also be useful for system fault diagnosis.
- ★ Couplings are easy to maintain and replace.
- ★ Prevents incorrect connection of hoses.
- ★ High flow, low pressure drop characteristics of Holmbury couplings.

### ACCESSORIES

To protect the couplings from accidental damage and to keep them clean, Holmbury can offer Parking Stations for the Mobile Plate and Dust caps for the Fixed Plate.

### COUPLINGS



1) To connect, the location dowels on the Mobile Plate are engaged in the Fixed Plate. The locking handle is in the one o'clock position.

2) The red locking trigger is pulled back and the handle easily moves down to the four o'clock position, regardless of any residual pressure in the hose lines.

3) During the final movement of the locking handle between four and five o'clock, resistance will be noticed. The force required will vary depending upon the residual pressure. Not more than 500 N force should be used.

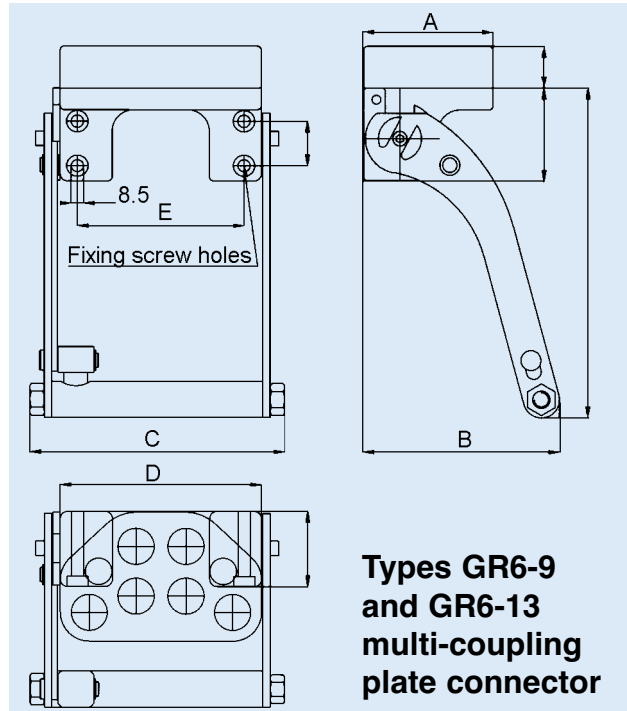
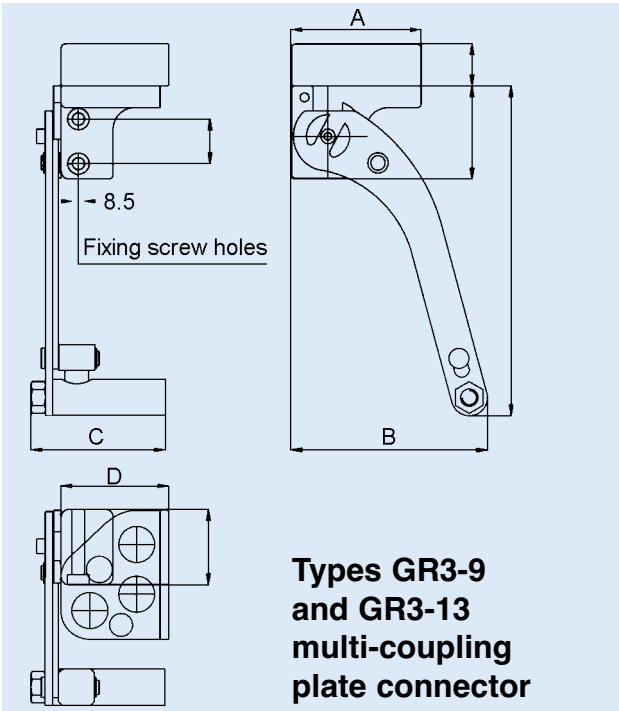
FAP Type for connection with residual pressure.

CQD Type for connection without residual pressure.

### MATERIALS

Carbon steel with zinc plate finish. Couplings options include carbon steel body with zinc finish, or QPQ anticorrosion treatment. The normal seal material is nitrile, but viton and PTFE are also available.

# GR SERIES MULTI-COUPLING, PLATE CONNECTOR



Types GR10-9 and GR10-13 multi-coupling plate connector

**DIMENSIONS**

Type	Number of couplings	Size of couplings	A	B	C	D	E	Weight
GR3 - 9	3	3/8" or 1/2"	90	136	93	74.5	—	2.6 kg
GR6 - 9	6	3/8" or 1/2"	90	136	176	139	115	5.2 kg
GR10 - 9	10	3/8" or 1/2"	118	153	212	175	151	7.7 kg
GR3 - 13	3	1/2" or 3/4"	118	171	110	93	—	3.7 kg
GR6 - 13	6	1/2" or 3/4"	118	171	212	175	151	7.3 kg
GR10 - 13	10	1/2" or 3/4"	140	177	255	218	194	10.2 kg