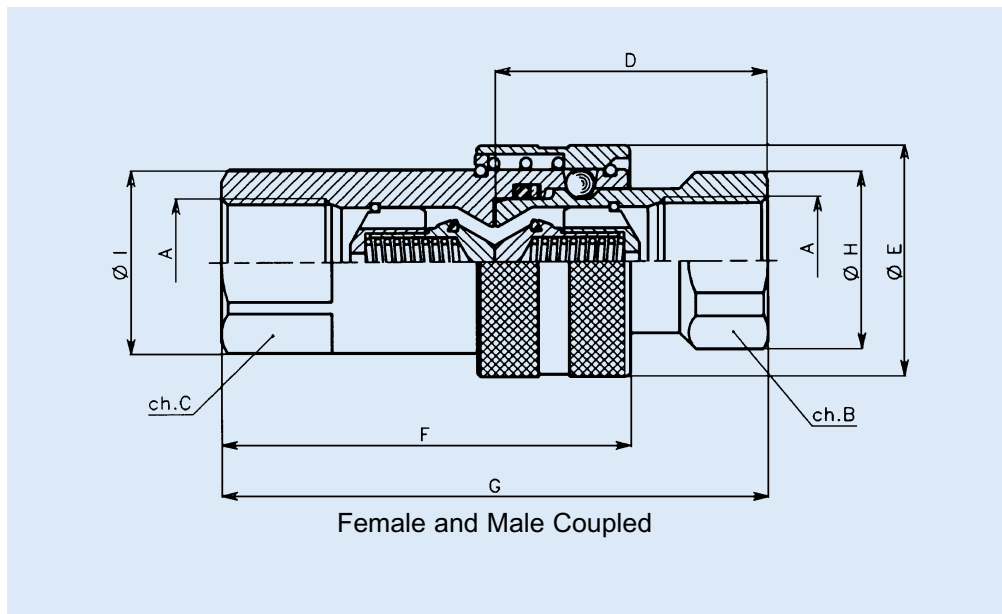




## ISO.A SERIES PULL BREAK HYDRAULIC COUPLINGS



Type	Nominal diameter	Maximum working pressure (bar)	A*	B	C	D	E	F	G	H	I	Weight (kg)
ISO.A 14	6.3	350	1/4"	19	19	32	26	47	64.5	21	22	0.13
ISO.A 38	10	300	3/8"	22	22	38	31	56	76.5	24	24	0.20
ISO.A 12	12.5	250	1/2"	27	27	44.5	38	63	86	29	30	0.34
ISO.A 34	20	250	3/4"	36	38	55	48	82	111	38.5	44	0.71
ISO.A 100	25	230	1"	41	45	63	54	97	127	45	52	1.10
ISO.A 114	31.5	230	1 1/4"	55	50	75	65	117	151	60	56	1.90
ISO.A 112	40	190	1 1/2"	60	60	85	80	135	171	65.5	65.5	3.10
ISO.A 200	50	130	2"	75	75	100	100	160	201	82.5	83.5	5.50

A\*=inch size BSP or NPT. Other dimensions in mm.

**PARKING STATIONS - SEE PAGE 47**  
**DUST CAPS - SEE PAGE 49**

