

## ISO.B SERIES PULL BREAK HYDRAULIC COUPLINGS

1/8" - 1" Poppet Valve Types to  
ISO 7241 Series B

ISO.B carbon steel couplings  
ISO.B S/S stainless steel couplings

### INTRODUCTION

Holmbury ISO.B Series couplings are designed to be tough, durable and of superior quality to competing ISO 7241 products. They are ideally suited to heavy industrial applications which would typically include:

- Food processing and manufacture
- Shipbuilding
- Offshore
- Machine tool/automation
- Oil refineries
- Steel mills
- Chemicals and pharmaceuticals

### FEATURES

- ★ Positive, quick connection ensured by the snap together locking ball system.
- ★ When connected the male and female halves can rotate, even under pressure, thus avoiding any torsional stress in the flexible hoses.
- ★ Designed to withstand high pressure peaks and pulses.
- ★ Poppet valves have balanced springs and calibrated oil flow passages to minimise the pressure drop.
- ★ Poppet valve seals have shockproof protective edges.

### CONSTRUCTION

ISO.B couplings - Heat treated, carbon steel, zinc plated . Nitrile 'O' ring seals with Teflon backing rings.

ISO.B S/S couplings - AISI 316 stainless steel. Nitrile 'O' ring seals with Teflon backing rings.

OPTIONS - alternative seal materials available on request:

Ethylene-Propylene  
Viton  
Neoprene

### ISO.B TESTS

Life - 1,000,000 cycles from 0 - 250 bar at a frequency of 1Hz.



ISO.B carbon steel couplings



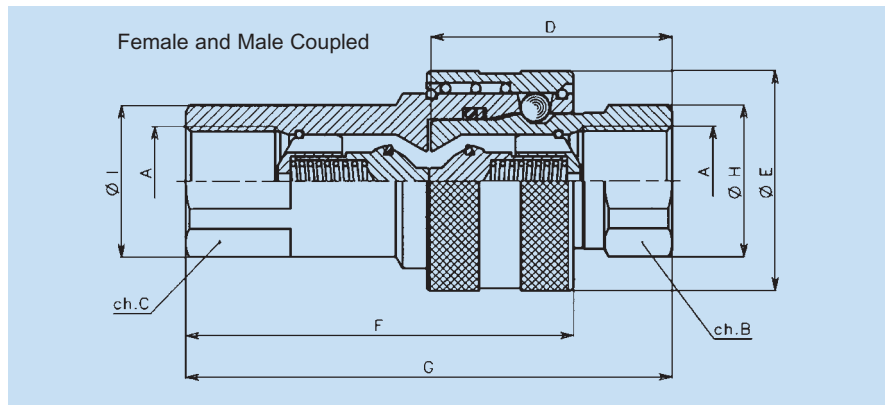
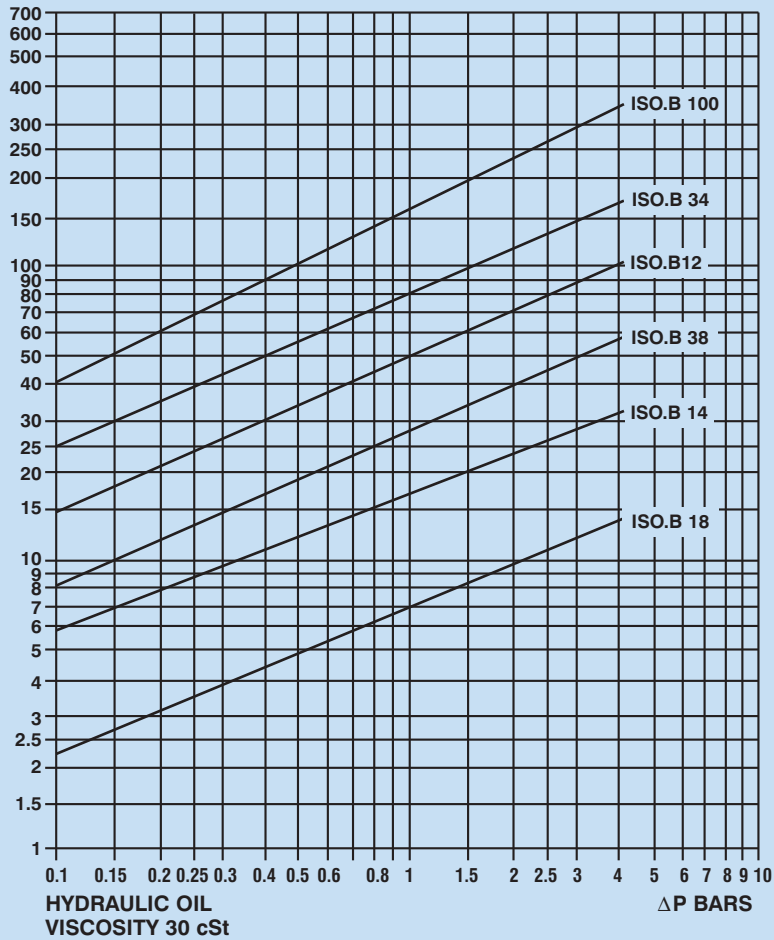
ISO.B S/S stainless steel couplings

### ORDER CODES

	*	ISO.B	**	***	
M = male					
F = female					
					BSP
					NPT
ISO.B = carbon steel					
ISO.B S/S = stainless steel					

**ISO.B SERIES COUPLINGS  
FLOW GRAPH**

Q L/min



Type and size	Maximum operating pressure (bar)	Type and size	Maximum working pressure (bar)	ND	A*	B	C	D	E	F	G	H	I	Weight (kg)
ISO.B S/S 18	250	ISO.B 18	350	5	1/8	19	19	32	26	47	64.5	21	22	0.13
ISO.B S/S 14	250	ISO.B 14	300	6.3	1/4	22	22	38	31	56	76.5	24	24	0.20
ISO.B S/S 38	200	ISO.B 38	250	10	3/8	27	27	44.5	38	63	86	29	30	0.34
ISO.B S/S 12	200	ISO.B 12	250	12.5	1/2	36	38	55	48	82	111	38.5	44	0.71
ISO.B S/S 34	160	ISO.B 34	230	20	3/4	41	45	63	54	97	127	45	52	1.10
ISO.B S/S 100	125	ISO.B 100	230	25	1	55	50	75	65	117	151	60	56	1.90

A\*=inch size BSP or NPT.

ISO.B - carbon steel construction

ISO.B S/S - stainless steel (AISI 316) construction

Dimensions in mm