

PC SERIES

1/2" ISO.A "Connect-under-pressure"

PULL BREAK AND PUSH PULL HYDRAULIC COUPLINGS

INTRODUCTION

Holmbury PC Series ISO.A couplings incorporate pressure relief mechanisms that enable them to be connected by hand, even when there are residual pressures in the hose lines.

When male and female PC couplings are used, they can be connected when there is residual pressures of up to 250 bar in either of the hose lines.

If a PC coupling is to be connected with a standard ISO.A coupling, then the hose with the PC coupling can have up to 250 bar residual pressure whilst the hose with the standard coupling must be at zero pressure.

PULL BREAK FEMALE COUPLINGS

Used for connecting flexible hose lines. To connect, pull back the locking sleeve, insert the male, release the sleeve. To disconnect, pull back the locking sleeve and withdraw the male.

PUSH PULL FEMALE COUPLINGS

The female coupling is panel mounted using the circlip grooves in the locking sleeve and must be connected to a flexible hose to allow axial movement of the coupling. The male is connected by being pushed in and disconnected by being pulled out. This release mechanism protects the coupling and hose from damage in the event of an accidental separating force being applied to the connection (e.g. a trailer becoming detached from the towing vehicle).

TECHNICAL DETAILS

Maximum working pressure 250 bar.

Fluid loss connecting with residual pressure 1.5 ml.

Connection force without residual pressure 90 N.

Connection force with residual pressure from:

$$CF = 90 + (0.55 \times RP)$$

CF = connection force (N)

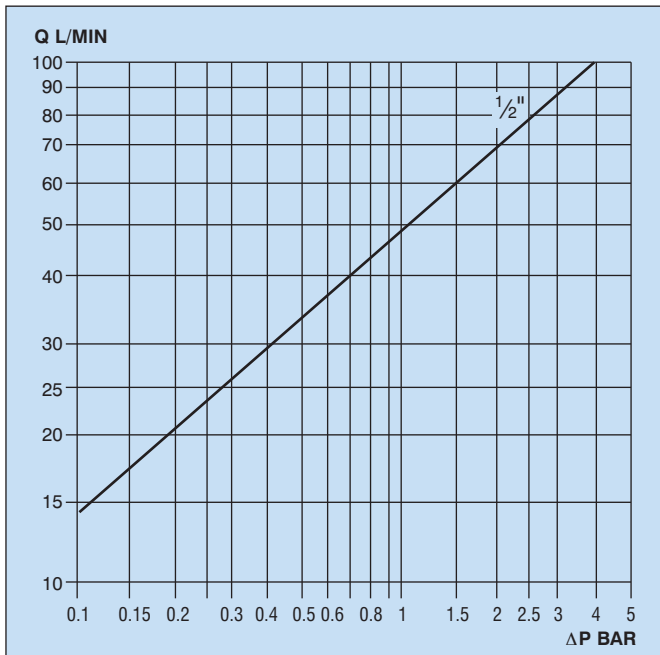
RP = residual pressure (bar)

EXAMPLE

To connect a PC coupling with 220 bar residual pressure, $CF = 90 + (0.55 \times 220) = 211$ N



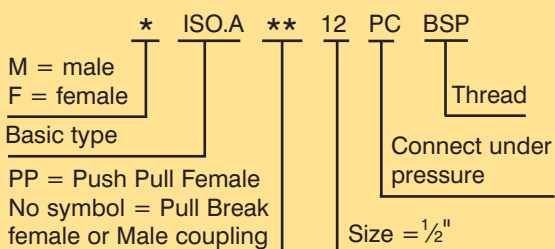
PRESSURE DROP CHARACTERISTICS



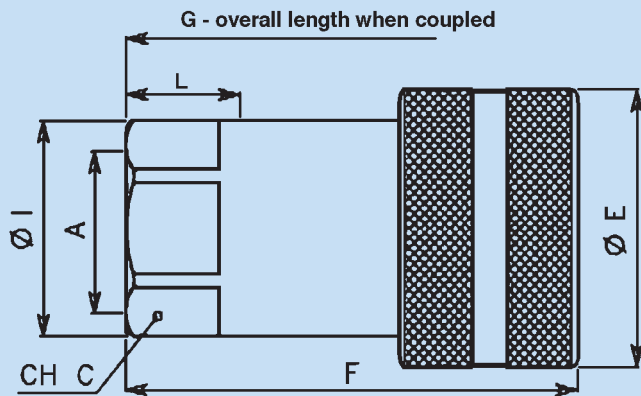
MATERIALS

Zinc plated carbon steel body with nitrile seals and PTFE backing ring.

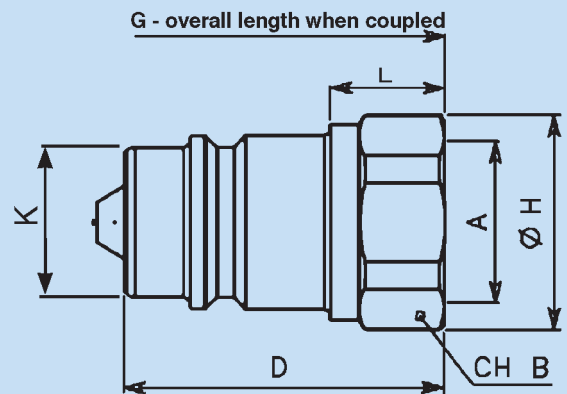
ORDER CODES



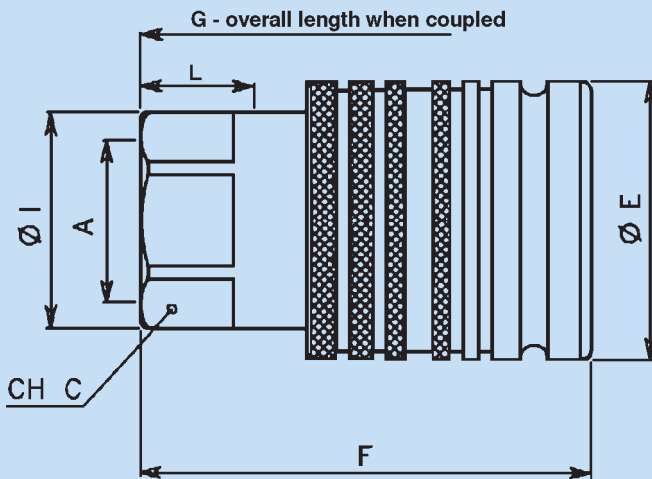
**PC SERIES, 1/2" ISO.A "Connect-under-pressure"
PULL BREAK AND PUSH PULL HYDRAULIC COUPLINGS**



PC SERIES PULL BREAK FEMALE COUPLING



PC SERIES MALE COUPLING



PC SERIES PUSH PULL FEMALE COUPLING

ACCESSORIES



Plastic caps and plugs for males and Pull Break females



Flip top plastic caps for Push Pull females



Parking stations for males

For further details see the Holmbury catalogue or web site

MALE COUPLING DIMENSIONS

Part Number	Thread Size	A	B	D	G	H	K	L Thread depth	Weight kg
M ISO.A 12 PC	1/2" BSP	1/2"	27	44.5	85.7	29	20.5	16	0.085

PULL BREAK FEMALE DIMENSIONS

Part Number	Thread size	A	C	E	F	G	I	K	L Thread depth	Weight kg
F ISO.A 12 PC	1/2" BSP	1/2"	27	38	63.3	85.7	30	20.5	16	0.245

PUSH PULL FEMALE DIMENSIONS

Part Number	Thread size	A	C	E	F	G	I	K	L Thread depth	Weight kg
F ISO.A PP 12 PC	1/2" BSP	1/2"	27	38	63.2	85.7	30	20.5	16	0.26