

PP SERIES

PUSH PULL COUPLINGS TO ISO.A SPECIFICATION

INTRODUCTION

Holmbury Push Pull Couplings, to ISO.A, are intended for any application where the hydraulic hose could be subjected accidentally to excessive force. The design is such that when pulled, the couplings will separate automatically - in order to minimise the risk of hose line rupture or coupling damage.

APPLICATIONS

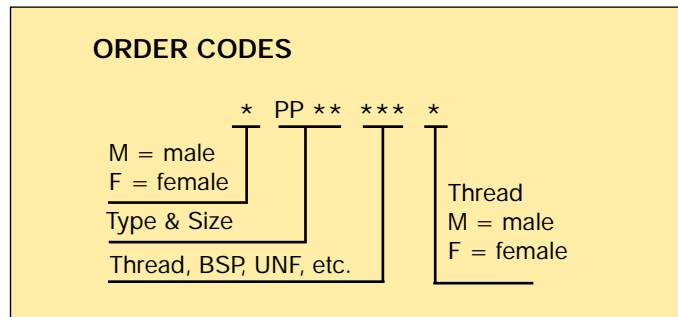
The female has to be panel mounted using the sleeve; circlip grooves are provided. This allows the coupling to separate when the hose is exposed to excessive force. Typical applications include mobile plant, trailers and agricultural equipment.

MATERIALS

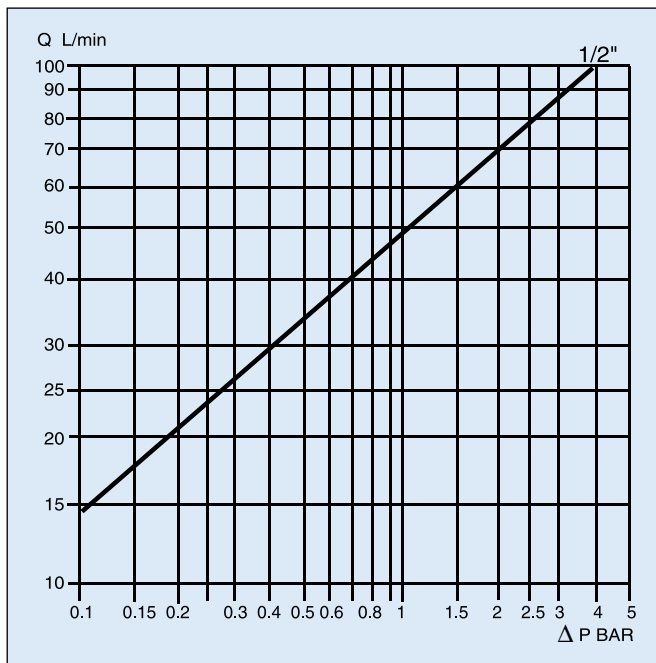
Zinc plated carbon steel body material with nitrile seals and PTFE backing ring.

TECHNICAL DETAILS

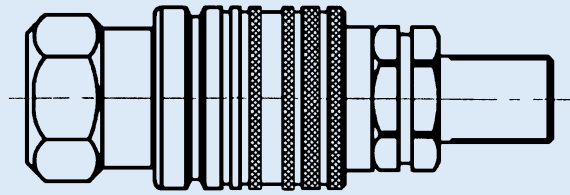
Maximum working pressure 250 bar. Working temperature range with nitrile seals is -20°C to +100°C



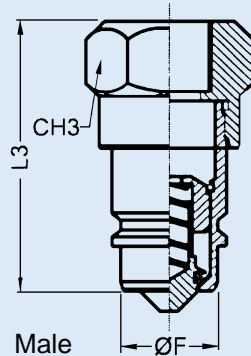
PRESSURE DROP CHARACTERISTICS



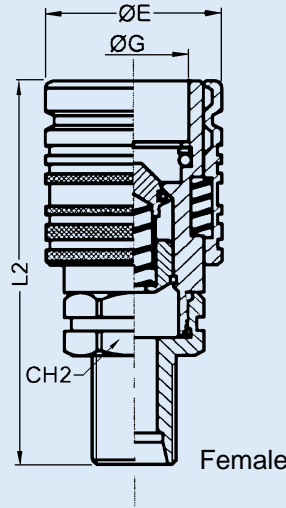
PP SERIES, PUSH PULL COUPLINGS TO ISO.A SPECIFICATION



Female and Male Coupled



Male



Female

Male coupling with female thread (as drawing)

Part Number	Thread size	CH3	L3	ØF
M ISO.A 12 BSP	1/2" BSP	27	46	20.5
M PP 18 F	18 x 1.5	30	57	20.5
M PP 22F	22 x 1.5	30	57	20.5
M PP 7/8 - 14 F	7/8"-14 UNF	30	58	20.5
M PP 3/4 - 16 F	3/4"-16 UNF	30	58	20.5

Other threads available on request

Male coupling with male thread

Part Number	Thread size	CH3	L3	ØF
M PP 18 M	18 x 1.5	27	68	20.5
M PP 22 M	22 x 1.5	27	68	20.5
M PP 22 MS	22 x 1.5 (short)	27	56	20.5

Other threads available on request

Female coupling with male thread (as drawing)

Part Number	Thread size	ØE	ØG	CH2	L2
F PP 38 BSP	3/8" BSP	38	23.9	27	
F PP 12 BSP	1/2" BSP	38	23.9	27	
F PP 58 BSP	5/8" BSP	38	23.9	27	
F PP 18 M	18 x 1.5	38	23.9	27	84
F PP 22 M	22 x 1.5	38	23.9	27	84
F PP 22 MS	22 x 1.5 (short)	38	23.9	27	72

Other threads available on request

Female coupling with female thread

Part Number	Thread size	ØE	ØG	CH2	L2
F PP 12 BSP	1/2" BSP	38	23.9	27	63.5
F PP 18 F	18 x 1.5	38	23.9	30	73
F PP 3/4 SAE F	3/4" SAE	-	-	-	-
F PP 22 F	22 x 1.5	38	23.9	30	73
F PP 7/8 - 14 F	7/8"-14 UNF	38	23.9	30	74
F PP 3/4 - 16 F	3/4"-16 UNF	38	23.9	30	74
F PP 3/4 - 16 FL	3/4"-16 UNF L	38	23.9	27	83.2

Other threads available on request