

## In-line types GGIL

### INTRODUCTION

Holmbury presents a new addition to its range, Rotary Couplings. Produced in both in-line and 90° configurations, these items are normally available from stock for rapid despatch.

### APPLICATIONS

Holmbury Rotary Couplings are used to protect hydraulic lines that are subjected to torsional forces or rotational motion.

### CONSTRUCTION

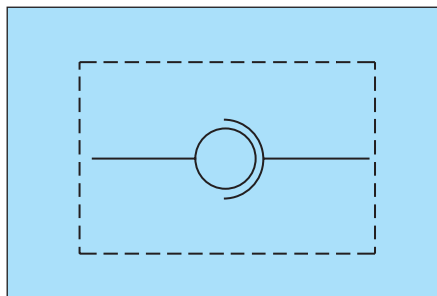
The spindle is carried on a roller bearing and has a low friction shaft seal that can rotate at maximum pressure with low torque.

### MATERIALS

Zinc plated, hardened steel body. Choice of BSP, NPT or SAE port threads.

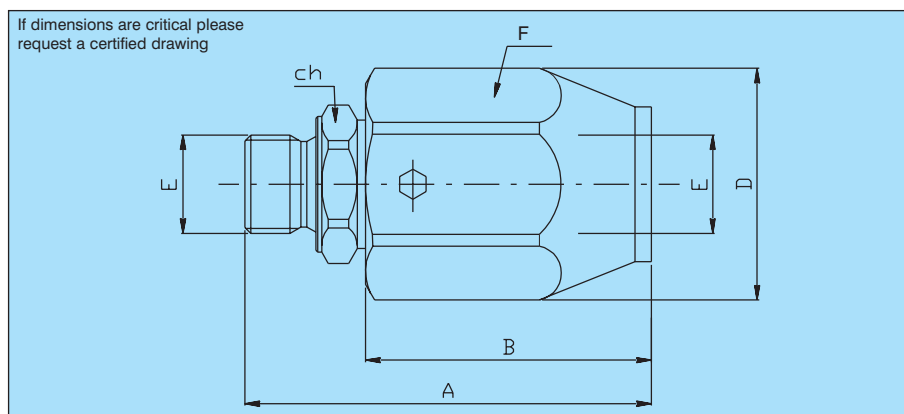
### OPTIONAL SPECIFICATION AVAILABLE TO ORDER:

Chrome plated body  
Metric thread  
Viton seals



### RATINGS

Size		01	02	03	04	05	06	07	09
Max Flow	l/min	25	45	80	120	150	200	250	300
Max Pressure	bar	400	400	360	310	280	250	210	180
Max Rotary Speed	rev/min	500	400	370	280	230	200	170	140



### ORDER CODES

**GGIL**    **03**    **B**  
 |            |            |  
 Type        Size        Thread  
 B = BSP  
 N = NPT  
 S = SAE

*Example*  
GGIL 03 B is a Holmbury In-line Rotary Coupling, with 1/2" BSP ports.

### DIMENSIONS

Size	A	B	D	E BSP	E NPT	E SAE (UNF THD)	F	CH	W Weight kg
01	62	42	33	1/4	1/4		CH 30	19	0.21
02	65	44	37	3/8	3/8	1/2" (3/4-16)	CH 34	24	0.27
03	74	50	40	1/2	1/2	5/8" (7/8-14)	CH 36	27	0.33
04	80	50	49	3/4	3/4	3/4"(1 1/16-12)	CH 45	34	0.54
05	90	57	60	1	1	1" (1 5/16-12)	Ø 60	41	1.03
06	98	63	60	1 1/4	1 1/4	1 1/4"(1 5/8-12)	Ø 60	50	1.14
07	108	70	70	1 1/2	1 1/2	1 1/2"(1 7/8-12)	Ø 70	55	1.68
09	115	76	85	2	2		Ø 85	65	2.52

# 90° types GG90

## CONSTRUCTION

The spindle is carried on a roller bearing and has a low friction shaft seal that can rotate at maximum pressure with low torque.

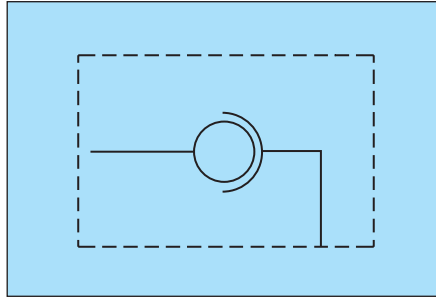
## MATERIALS

Zinc plated, hardened steel body.  
Choice of BSP, NPT or SAE port threads.

## OPTIONAL SPECIFICATION

### AVAILABLE TO ORDER:

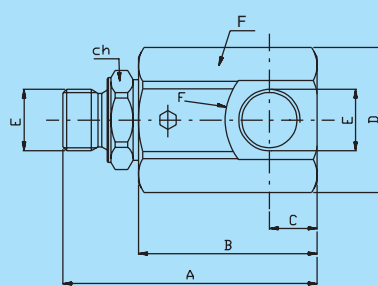
Chrome plated body  
Metric thread  
Viton seals



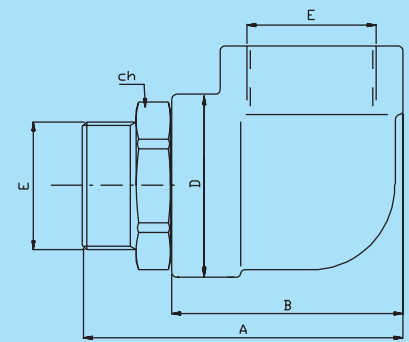
## RATINGS

Size		01	02	03	04	05	06	07	09
Max Flow	l/min	25	45	80	120	150	200	250	300
Max Pressure	bar	400	400	360	310	280	250	210	180
Max Rotary Speed	rev/min	500	400	370	280	230	200	170	140

If dimensions are critical please request a certified drawing



Dimensions for sizes 01 - 05



Dimensions for sizes 06, 07 and 09

## ORDER CODES

**GG90**   **02**   **B**  
 |            |            |  
 Type        Size        Thread  
 B = BSP  
 N = NPT  
 S = SAE

*Example*  
GG90 02 B is a Holmby 90° Rotary Coupling, with 3/8" BSP ports.

## DIMENSIONS

Size	A	B	C	D	E BSP	E NPT	E SAE (UNF THD)	F	CH	W Weight kg
01	71	50	11	33	1/4	1/4		CH 30	19	0.21
02	77	56	15	38	3/8	3/8	1/2" (3/4 - 16)	CH 34	24	0.27
03	86	63	17	43	1/2	1/2	5/8" (7/8 - 14)	CH 38	27	0.33
04	100	70	20	56	3/4	3/4	3/4" (1 1/16 - 12)	CH 50	34	0.54
05	113		23	60	1	1	1" (1 5/16 - 12)	Ø 60	41	1.03
06	118	83	32	63	1 1/4	1 1/4	1 1/4" (1 5/8 - 12)		50	1.74
07	138	100	38	79	1 1/2	1 1/2	1 1/2" (1 7/8 - 12)		55	3.00
09	152	110	43	85	2	2			65	3.76