



Cylinder Parts and Accessories

Bushes

Diagram / Model	Part Code	[A] ID (inch)	[B] OD (inch)	[C] Length (mm)
	BU10I07I10M	0.75	1.00	10
	BU10I07I17M	0.75	1.00	17
	BU12I10I16M	1.00	1.25	16
	BU12I10I20M	1.00	1.25	20
	BU15I12I25M	1.25	1.50	25
	BU17I15I25M	1.50	1.75	25
	BU20I15I25M	1.50	2.00	25
	BU22I20I50M	2.00	2.25	50

Shoulder Pins

Diagram / Model	Part Code	[A] (inch)	[B] (mm)	[C] (mm)	[D] (mm)
	0.5-PIN-35M	0.50"	42.36	34.29	19
	0.5-PIN-42M	0.50"	50	41.91	19
	0.75-PIN-52	0.75"	61	52	25
	1-PIN-54	1.00"	64	57	30
	1-PIN-63	1.00"	73	66	30
	1-PIN-68	1.00"	78	71	30
	1-PIN-75	1.00"	87	78.5	30
	1.25-PIN-75M	1.25"	87	78.5	38
	1.25-PIN-100	1.25"	112	100.5	38
	1.5-PIN-110	1.5"	127	110.5	44
	2-PIN-150	2.0"	176	150	N/A

Shoulder Pins - Greasable

Diagram / Model	Part Code	[A] (inch)	[B] (mm)	[C] (mm)	[D] (mm)
	1-PIN-60-G	1.00"	73	63	30.0
	1-PIN-65-G	1.00"	78	68	30.0
	1-PIN-72-G	1.00"	87	75.5	30.0
	1.25-PIN-72-G	1.25"	87	78	30.0
	1.25-PIN-97-G	1.25"	112	97	30.0

Specifications subject to change without notice. Version Date: August 2023.



Cylinder Parts and Accessories *(continued)*

Straight Ports

Diagram / Model	Port Size	[A] (mm)	[B]	[C] (mm)
	3/4" UNO	28.5 (1.125")	3/4-10 UNF (0.75")	18.8 (0.742")
	9/16" UNO	24.9 (0.98")	9/16-12 UNF (0.75")	17.5 (0.69")
	7/8" UNO	31.75 (1.25")	7/8-9 UNF (0.781")	22.2 (0.875")
	1.1/16" UNO	38.1 (1.50")	1.1/16 UNF (1.148")	25.4 (1.00")

Elbow Port

Diagram / Model	Part Code	[A]	[B] (mm)	[C] (mm)	[D] (mm)
	EP06	9/16" UNO Port	20 (0.788")	30 (1.18")	19 (0.748")
	EP08	3/4" UNO Port	20 (0.788")	30 (1.18")	19 (0.748")
	EP10	7/8" UNO Port	24 (0.945")	45 (1.77")	24 (0.945")
	EP12	1.1/16" UNO Port	24 (0.945")	45 (1.77")	24 (0.945")

Mechanical Depth Stops

	Part Code	Closed (mm)	Open (Max) (mm)
	MDS125	46	92
	MDS137	46	92
	MDS150	46	92

Whoa-Stop - Stroke Control Segments

	Part Code	Fits Rod Sizes	Segment Widths
	9697	1.75", 2.0"	1", 1.5", 2", 4.5"
	9899	1.125", 1.25", 1.375", 1.5"	0.875", 1", 1.25", 1.5"

Specifications subject to change without notice. Version Date: August 2023.



Cylinder Parts and Accessories *(continued)*

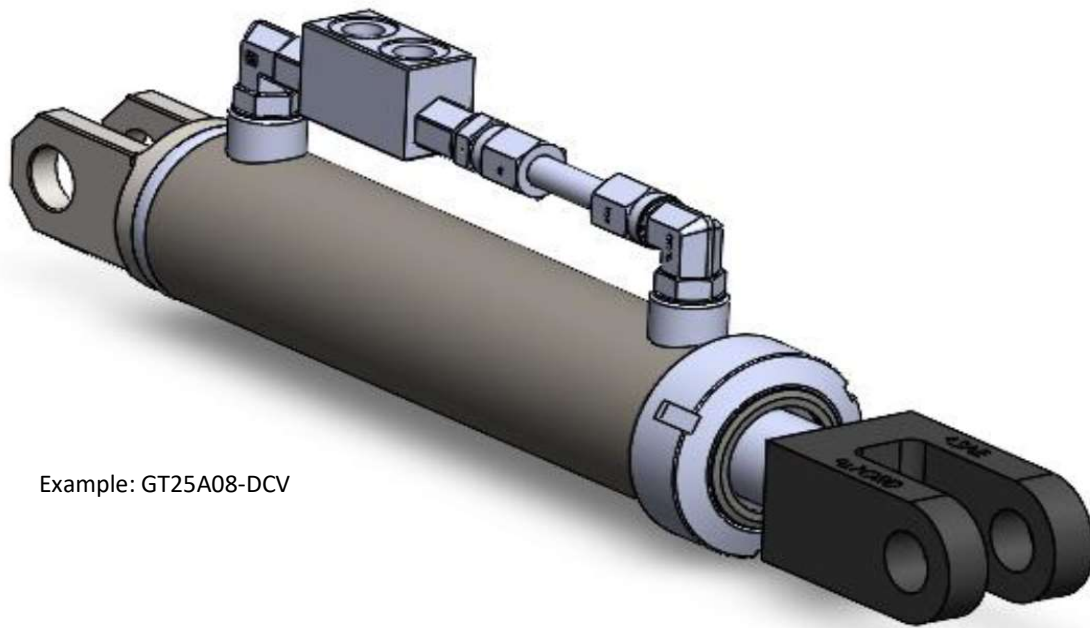
Counterbalance Valve Kits

Part Code	Description
KIT-SOCV-9/16UNO	Single Overcentre Valve Kit 9/16" UNO Port - up to 36" Stroke
KIT-DOCV-9/16UNO	Double Overcentre Valve Kit 9/16" UNO Port - up to 36" Stroke
KIT-SOCV-3/4UNO	Single Overcentre Valve Kit 3/4" UNO Port - up to 36" Stroke
KIT-DOCV-3/4UNO	Double Overcentre Valve Kit 3/4" UNO Ports - up to 36" Stroke

Check Valve Kits

Part Code	Description
KIT-SCV-9/16UNO	9/16" UNO Ports Single Check Valve Kit - up to 36" Stroke
KIT-DCV-9/16UNO	9/16" UNO Ports Dual Check Valve Kit - up to 36" Stroke
KIT-SCV-3/4UNO	3/4" UNO Ports Single Check Valve Kit - up to 36" Stroke
KIT-DCV-3/4UNO	3/4" UNO Ports Dual Check Valve Kit - up to 36" Stroke

All valve kits are supplied with enough feedtube to fit up to 36" stroke cylinders. Longer lengths are available on request. Specifications subject to change without notice. Version Date: August 2023.



Example: GT25A08-DCV