



**ACCESSORIES PRODUCT INDEX**

AIR BREATHER & FILLER CAPS.....	PAGE 2
SUCTION ELEMENTS, FILLER BREATHER, FLUID LEVEL GAUGES.....	PAGE 3
PRINCE HYDRAULIC FILTERS, ELEMENTS & ACCESSORIES.....	PAGE 4
TANK TOP RETURN LINE FILTERS, DIFFUSERS.....	PAGE 5
HYDRAULIC PRESSURE GAUGES.....	PAGE 6
GAUGE ADAPTORS, GAUGE ISOLATOR VALVES.....	PAGE 7
STEEL & ALLOY TANKS.....	PAGE 8
BELL HOUSING & GASKET.....	PAGE 9
DRIVE COUPLINGS – ALUMINIUM ELECTRIC MOTOR HALF.....	PAGE 10
DRIVE COUPLINGS – ALUMINIUM PETROL ENGINE HALF	
DRIVE COUPLINGS – ALUMINIUM PUMP HALF, SPIDERS.....	PAGE 11
PIPE CLAMPS – SINGLE IMPERIAL, METRIC – STANDARD SERIES.....	PAGE 12
PIPE CLAMPS – DOUBLE IMPERIAL, METRIC – STANDARD SERIES	
PIPE CLAMPS – DOUBLE METRIC CLAMPS – TWIN SERIES.....	PAGE 13
STACKING BOLTS & WASHERS	
LOVEJOY FLEXIBLE COUPLINGS.....	PAGE 14
MINICHECK TEST COUPLINGS, HOSE ASSEMBLIES.....	PAGE 15

**PRODUCT LIST**

**EFFECTIVE: APRIL 1, 2011**



**AIR BREATHER AND FILLER CAP**

**ALL BREATHERS CAN BE GROUPED FOR QUANTITY BUY**



<b>PART No.</b>	<b>THREAD</b>	<b>O/A HEIGHT</b>
64	1/4" BSP	2 1/4"
62	3/8" BSP	2 1/4"
61	1/2" BSP	2 1/4"
60	3/4" BSP	2 1/4"
67	3/4" UNF	2 1/4"

**RYCO 356 / 362 SERIES AIR BREATHER FILLER – COMPLETE WITH CARTRIDGE**

<b>PART No.</b>	<b>THREAD</b>	<b>O/A HEIGHT</b>
362 – 12	3/4" BSP	3 3/4"
362 – 16	1" BSP	3 7/8"
A245	CARTRIDGE	

<b>PART No.</b>	<b>THREAD</b>	<b>O/A HEIGHT</b>
356 – 12	3/4"	5 7/8"
356 – 16	1"	6 1/8"
356 – 20	1 1/4"	6 1/8"
356 – 24	1 1/2"	6 1/4"
356 – 32	2"	6 1/4"
A5	CARTRIDGE	

**PRINCE MINI BREATHER**

<b>PART No.</b>	<b>THREAD</b>	<b>O/A HEIGHT</b>
PMBHF - 3	1/2" NPT / BSPT	13/16"
PMBHF - 6	3/4" – 16 UNF	13/16"
PMBHF - 5	7/8" – 14 UNF	13/16"

**PRODUCT LIST**

**EFFECTIVE: APRIL 1, 2011**



**SUCTION ELEMENTS – 125 MICRON**

PART No.	G.P.M.	LTR/MIN	THREAD
ST 12 – 1319	3	15	1/2" BSP
ST 34 – 1320	5	25	3/4" BSP
ST 100 – 1457	11	50	1" BSP
ST 112A – 1323	21	95	1 1/2" BSP
ST 112B – 1324	45	200	1 1/2" BSP
ST 200A – 1326	50	220	2" BSP
ST 200B – 1219	60	260	2" BSP
ST 212 – 1220	68	300	2 1/2" BSP
ST 300 – 1221	90	400	3" BSP



**FILLER BREATHERS – CHROME PLATED**

PART No.	MICRON RATING
FB 1	10
FB 2	10
FBC 2 LOCKABLE	10
FBP 2 PRESSURISED 0.35 BAR	10
FT ANGULAR MOUNTING ADAPTOR SUIT FB-2 SERIES	



**FILLER BREATHERS – GLASS FILLED NYLON      AIR BREATHERS – PUSH ON**

PART No.	MICRON RATING
SES1 – S (WAS UC - AB - 1001)	40
SES3 – 40 – C (WAS UC - AB - 1381)      PUSH ON 38mm $\phi$ PIPE	40



**FLUID LEVEL – TEMPERATURE GAUGES**

PART No.	O/A LENGTH	BOLT THREAD	BOLT CENTRES
SNA076BST12	108mm	M 10	76
SNA127BST12	159mm	M 12	127
SNA254BST12	285mm	M 12	254



# PRODUCT LIST

EFFECTIVE: APRIL 1, 2011



## PRINCE HYDRAULIC FILTERS

### FILTER HEAD

PART No.	DESCRIPTION
FA1200	HEAD ONLY 3/4" NPTF
FB1200	HEAD ONLY 1 1/4" NPTF

### FILTER ELEMENTS

FA 10	10 MICRON – SUIT FA FILTER
FA 25	25 MICRON – SUIT FA FILTER
FA 150	150 MICRON – SUIT FA FILTER
FB 10	10 MICRON – SUIT FA FILTER
FB 25	25 MICRON – SUIT FA FILTER
FB 150	150 MICRON – SUIT FA FILTER

### ACCESSORIES

270018001	NO BY PASS KIT – SUIT FA FILTER
270018002	5 PSI BY PASS KIT – SUIT FA FILTER
270018003	15 PSI BY PASS KIT – SUIT FA FILTER
270018004	25 PSI BY PASS KIT – SUIT FA FILTER
270018021	NO BY PASS KIT – SUIT FB FILTER
270018022	5 PSI BY PASS KIT – SUIT FB FILTER
270018023	15 PSI BY PASS KIT – SUIT FB FILTER
270018024	25 PSI BY PASS KIT – SUIT FB FILTER
180900669	0 – 200 PSI RETURN LINE GAUGE
180900778	0 – 30 PSI VACUUM GAUGE



**PRODUCT LIST**

**EFFECTIVE: APRIL 1, 2011**



**TANK TOP RETURN LINE FILTERS**

<b>PART No.</b>	<b>LTR/GPM (US)</b>	<b>PORTING</b>
OMTF 40 – 10	40 / 10	1/2" BSP
OMTF 75 – 10	75 / 20	3/4" BSP
OMTF 100 – 10	100 / 26	1" BSP
OMTF 200 – 10	200 / 52	1 1/4" BSP
OMTF 300 – 10	300 / 80	1 1/2" BSP
OMTF 350 – 10	350 / 92	2" BSP

**REPLACEMENT ELEMENT – 10 MICRON**

**PART No.**

- CR 40 – 10
- CR 65 – 10
- CR 100 – 10
- CR 200 – 10
- CR 300 – 10
- CR 350 – 10

**DIFFUSER**

**PART No.**

- SD 34 G                    3/4" DIFFUSER
- SD 100 G                 1" DIFFUSER
- SD 114 G                1 1/4" DIFFUSER
- SD 112 BG              1 1/2" DIFFUSER
- SD 200 AG              2" DIFFUSER

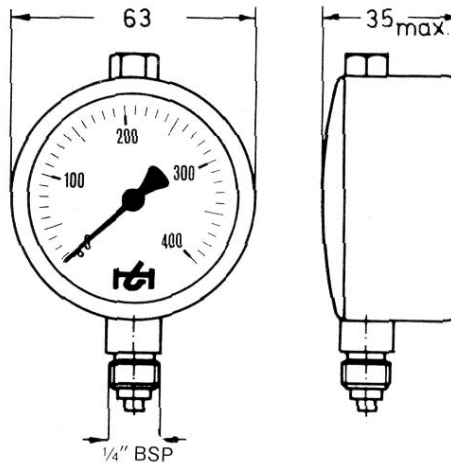
**PRODUCT LIST**

**EFFECTIVE: APRIL 1, 2011**



**HYDRAULIC PRESSURE GAUGES – GLYCERINE FILLED BOTTOM ENTRY**

PART No.	PRESSURE GRADUATION		HOUSING	
	BAR	P.S.I.	DIAM.	BSPP
SPG063010	0 – 10	0 – 145	63mm	1/4"
SPG063016	0 – 16	0 – 230	63mm	1/4"
SPG063025	0 – 25	0 – 360	63mm	1/4"
SPG063040	0 – 40	0 – 580	63mm	1/4"
SPG063060	0 – 60	0 – 1160	63mm	1/4"
SPG0630100	0 – 100	0 – 1450	63mm	1/4"
SPG0630160	0 – 160	0 – 2300	63mm	1/4"
SPG0630250	0 – 250	0 – 3600	63mm	1/4"
SPG0630400	0 – 400	0 – 5800	63mm	1/4"
SPG0630600	0 – 600	0 – 8700	63mm	1/4"
SPG06301000	0 – 1000	0 – 14500	63mm	1/4"



PART No.	PRESSURE GRADUATION		HOUSING	
	BAR	P.S.I.	DIAM.	BSPP
SPG100010	0 – 10	0 – 145	100mm	1/2"
SPG100025	0 – 25	0 – 360	100mm	1/2"
SPG100060	0 – 60	0 – 870	100mm	1/2"
SPG100100	0 – 100	0 – 1450	100mm	1/2"
SPG100160	0 – 160	0 – 2300	100mm	1/2"
SPG100250	0 – 250	0 – 3600	100mm	1/2"
SPG100315	0 – 315	0 – 4570	100mm	1/2"
SPG100400	0 – 400	0 – 5800	100mm	1/2"
SPG100600	0 – 600	0 – 8700	100mm	1/2"

**PANEL MOUNT GAUGES AVAILABLE ON REQUEST.**


**PRODUCT LIST**

**EFFECTIVE: APRIL 1, 2011**



**GAUGE ADAPTORS**

**PRESSURE TO 400 BAR (5800 P.S.I)**

<b>PART No.</b>	<b>BSPT THREAD</b>		<b>BSPP THREAD</b>
FT299 – 44	1/4"		1/4"
FT299 – 42	1/2"		1/4"
FT299 – 24	1/4"		1/2"
FT299 – 22	1/2"		1/2"

**GAUGE ISOLATOR VALVES**

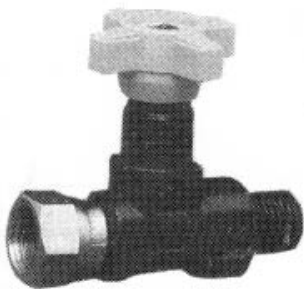
**PRESSURE TO 400 BAR (5800 P.S.I)**

<b>PART No.</b>	<b>OPENING</b>	<b>BSPT THREAD</b>	<b>BSPP THREAD</b>
FT290	NEEDLE VALVE	1/4"	1/4"
FT291	NEEDLE VALVE	1/4"	1/4"
FT292	PUSH BUTTON	1/4"	1/4"

**CODE FT290**

**CODE FT291**

**CODE FT292**



## PRODUCT LIST

EFFECTIVE: APRIL 1, 2011

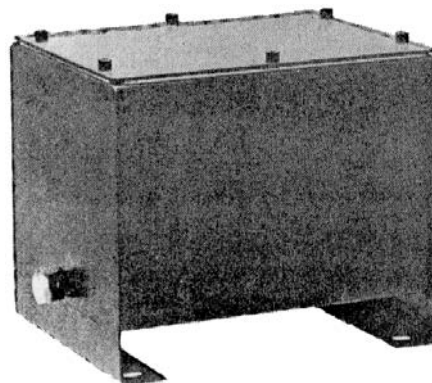


### STEEL TANK – COMPLETE WITH LID

PART No.	DESCRIPTION	PRE-CUT LID FRAME		FILTER	FILLER BREATHER
CF – 12	13 LITRE	71	80/90	OMTF 40/10	FB1
CF – 16	20 LITRE	80/90	100/112	OMTF 40/10	FB1
CF – 30	30 LITRE	80/90	100/112	OMTF 40/10	FB2
CF – 55	55 LITRE	100/112	132	OMTF 100/10	FB2
CF – 75	72 LITRE	100/112	132	OMTF 100/10	FB2
CF – 100	98 LITRE	BLANK			
CF – 180	160 LITRE	BLANK			

### STANDARD FEATURES

1. OIL AND RUST RESISTANT PRIME COAT
2. LID GASKET AND SCREWS SUPPLIED
3. DRAIN PROVISION PROVIDED 1/2" BSP
4. DECLARED CAPACITIES 66% OF MAXIMUM CAPACITY
5. BLANK LIDS AVAILABLE ALL CAPACITIES



### ALLOY TANKS – COMPLETE WITH LID

PART No.	DESCRIPTION
CP 10 GC	10 LITRE ( 2.60 US GALLON )
CP 25 MGC	25 LITRE ( 6.60 US GALLON )

### STANDARD FEATURES

1. LID GASKET AND SCREWS SUPPLIED
2. DRAIN PROVISION PROVIDED 3/8" BSP CP10, 1/2" BSP CP25
3. DECLARED CAPACITIES 75% OF MAXIMUM CAPACITY

### DIMENSIONAL DATA

PART No.	LENGTH (mm)	WIDTH (mm)	HEIGHT (mm)
CF – 12	335	270	290
CF – 16	410	325	305
CF – 30	470	375	335
CF – 55	600	470	365
CF – 75	600	470	365
CF – 100	675	520	505
CF – 180	805	620	555
CP – 10 GC	340	247	220
CP – 25 MGC	490	340	285



**PRODUCT LIST**

**EFFECTIVE: APRIL 1, 2011**



**BELL HOUSINGS**



<b>PART No.</b>	<b>MOTOR FRAME</b>	<b>PUMP GROUP</b>	<b>SPIGOT M.M.</b>	<b>ENGINE SPIGOT</b>
BH 63 G 05	D 63	05	22	
BH 71 G 05	D 71	05	22	
BH 71 G 1	D 71	1	25.4	
BH 80 G 05	D 80 / 90	05	22	
BH 80 G 1 + 2	D 80 / 90	1 + 2	25.4 / 36.5	
BH 100 G 1 + 2	D 100 / 112	1 + 2	25.4 / 36.5	
BH 100 G 2 + 3	D 100 / 112	2 + 3	36.5 / 50.8	
BH 132 G 2 + 3	D 132	2 + 3	36.5 / 50.8	
BH 160 G 2	D 160 / 180	2	36.5	
BH 160 G 3	D 160 / 180	3	50.8	
BH 80 SAE A	D 80 / 90	SAE A	82.5	
BH 100 SAE A	D 100 / 112	SAE A	82.5	
BH 100 SAE B	D 100 / 112	SAE B	101.6	
BH 132 SAE A	D 132	SAE A	82.5	
BH 132 SAE B	D 132	SAE B	101.6	
BH 160 SAE B	D 160 / 180	SAE B	101.6	
BH 160 SAE C	D 160 / 180	SAE C	127	
BH 200 SAE B	D 200	SAE B	101.6	
BH 225 SAE B	D 225	SAE B	101.6	
BH 250 SAE B	D 250	SAE B	101.6	
BH P5 HP	3-5.5HP PETROL	1	25.4	41.3 MALE
BH P10 HP	7-18 HP PETROL	1 + 2	25.4 / 36.5	110.0 MALE
BH P10 HP – A	7-18 HP PETROL	SAE A	82.5	146.0 FEMALE
BH P10 HP – B	7-18 HP PETROL	SAE B	101.60	146.0 FEMALE
BH P13 HP	18 HP PETROL	1 + 2	25.4 / 36.5	164.0 FEMALE
BH P13 HP – A	18 HP PETROL	SAE A	82.5	164.0 FEMALE
BH P13 HP – B	18 HP PETROL	SAE B	101.60	164.0 FEMALE

**GASKETS - BELL HOUSINGS**

BHG 80	GASKET SUIT BH80 BELL HOUSING
BHG 100	GASKET SUIT BH100 BELL HOUSING
BHG 132	GASKET SUIT BH132 BELL HOUSING
BHG 160	GASKET SUIT BH160 BELL HOUSING
BHG 200	GASKET SUIT BH200 BELL HOUSING

**GASKETS - PUMP**

GR1 P	GROUP 1 PUMP GASKET
GR2	GROUP 2 PUMP GASKET
GR3	GROUP 3 PUMP GASKET

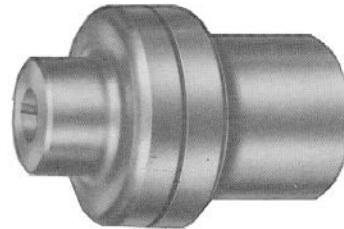
**PRODUCT LIST**

**EFFECTIVE: APRIL 1, 2011**



**DRIVE COUPLINGS**

**ALUMINIUM COUPLINGS – ELECTRIC MOTOR HALF**



<b>PART No.</b>	<b>MOTOR GROUP</b>	<b>FRAME</b>
CH48 - 11	1	D 63
CH48 - 14	1	D 71
CH48 - 19	1	D 80
CH48 - 24	1	D 90
CH65 - 19	2	D 80
CH65 - 24	2	D 90
CH65 - 28	2	D 100 / 112
CH86 - 28	3	D 100 / 112
CH86 - 38	3	D 132
CH108 - 42	4	D 160
CH108 - 48	4	D 180
CH108 - 55	4	D 200
CH143 - 60		D 225
CH143 - 75 **		D 280 **
HC1140	05	D 71

\*\* REFER TO MOTOR MANUFACTURERS PUBLISHED SHAFT DIAMETER.

**COUPLINGS – PETROL ENGINE HALF**

CH48 P- 3/4	1	5 HP – 3/4”	SHAFT
CH65 P- 1	2	10 HP – 1”	SHAFT
CH65 P- 25	2	13 HP – 25mm	SHAFT

**COUPLINGS – PETROL ENGINE – PUMP HALF**

		<u>GROUP</u>	<u>SHAFT SIZE</u>
CH65P G2T	7-18HP	2	1 : 8 TAPERED
ND65H 4 D 22	18HP	SAE A	3/4” PARALLEL
ND65H 8 D 99	18HP	SAE B	7/8” PARALLEL

\*\* NOTE: ALL COUPLING HALVES ARE BORED, KEYED & GRUB SCREWED.

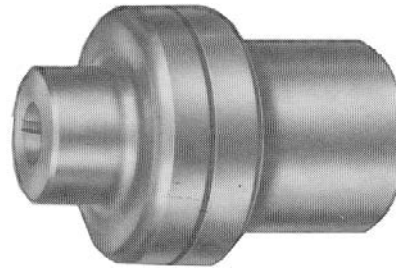
**PRODUCT LIST**

**EFFECTIVE: APRIL 1, 2011**



**DRIVE COUPLINGS**

**ALUMINIUM COUPLINGS – PUMP HALF**



<b>PART No.</b>	<b>GROUP</b>	<b>SHAFT SIZE</b>
HC 105A	05	6mm PARALLEL
CH48 G1T	1	1:8 TAPERED
CH65 G1T	1	1:8 TAPERED
CH65 G2T	2	1:8 TAPERED
CH86 G2T	2	1:8 TAPERED
CH86 G3T	3	1:8 TAPERED
CH108 G3T	3	1:8 TAPERED
CH48 - 1/2	SAE AA	1/2" BORE
CH65 - 5/8	SAE A	5/8" BORE
CH65 - 3/4	SAE A	3/4" BORE
CH65 - 7/8	SAE B	7/8" BORE
CH65 - 1	SAE BB	1" BORE
CH86 - 3/4	SAE A	3/4" BORE
CH86 - 7/8	SAE B	7/8" BORE
CH86 - 1	SAE BB	1" BORE
CH108 - 3/4	SAE A	3/4" BORE
CH108 - 7/8	SAE B	7/8" BORE
CH108 - 1	SAE BB	1" BORE
CH108 - 1 1/4	SAE C	1 1/4" BORE
CH143 - 7/8	SAE B	7/8" BORE
CH143 - 1	SAE BB	1" BORE
CH143 - 1 1/4	SAE C	1 1/4" BORE

**\*\* NOTE: ALL COUPLING HALVES ARE BORED, KEYED & GRUB SCREWED.**

**SPIDERS – RUBBER**

S 48	\$	4.30
S 65		7.55
S 86		11.20
S 108		15.60
S 143		34.00

**ER100 FOR HC COUPLINGS – GROUP 05**

## PRODUCT LIST

EFFECTIVE: APRIL 1, 2011



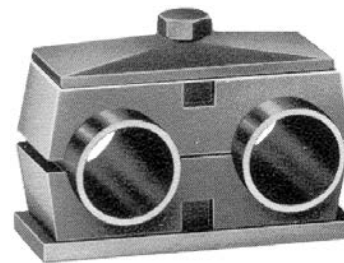
### PIPE CLAMPS

#### SINGLE IMPERIAL CLAMPS – STANDARD SERIES

PART No.	TUBE O.D.
SP 1064A	1/4"
SP 1080A	5/16"
SP 1095A	3/8"
SP 2127	1/2"
SP 2160	5/8"
SP 3190	3/4"
SP 3254	1"
SP 5320	1 1/4"
SP 5380	1 1/2"
SP 6445	1 3/4"
SP 6508	2"

#### DOUBLE IMPERIAL CLAMPS – TWIN SERIES

DSSP 1064 / 64	1/4"
DSSP 1095 / 95	3/8"
DSSP 2127 / 127	1/2"
DSSP 2160 / 160	5/8"
DSSP 2172 / 172	3/8"
DSSP 3190 / 190	3/4"
DSSP 3220 / 220	7/8"
DSSP 3254 / 254	1"
DSSP 5320 / 320	1 1/4"
DSSP 5380 / 380	1 1/2"



#### SINGLE METRIC CLAMPS – STANDARD SERIES

SP 1060A	6mm
SP 1080A	8mm
SP 1100A	10mm
SP 1120A	12mm
SP 2150	15mm
SP 2160	16mm
SP 2180	18mm
SP 3200	20mm
SP 3220	22mm
SP 3250	25mm
SP 4280	28mm
SP 4300	30mm
SP 5320	32mm
SP 5350	35mm
SP 5380	38mm

**PRODUCT LIST**

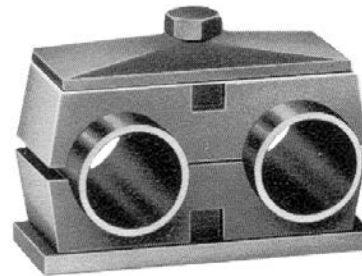
**EFFECTIVE: APRIL 1, 2011**



**PIPE CLAMPS**

**DOUBLE METRIC CLAMPS – TWIN SERIES**

<b>PART No.</b>	<b>TUBE O.D.</b>
DSSP 106 / 06	6mm
DSSP 108 / 08	8mm
DSSP 110 / 10	10mm
DSSP 112 / 12	12mm
DSSP 215 / 15	15mm
DSSP 216 / 16	16mm
DSSP 218 / 18	18mm
DSSP 320 / 20	20mm
DSSP 322 / 22	22mm
DSSP 325 / 25	25mm
DSSP 428 / 28	28mm
DSSP 430 / 30	30mm
DSSP 532 / 32	32mm
DSSP 538 / 38	38mm



**STACKING BOLTS – STANDARD AND TWIN SERIES**

<b>PART No.</b>	<b>CLAMP GROUP</b>
AF 1	1 – STANDARD SERIES
AF 2	2 – STANDARD SERIES
AF 3	3 – STANDARD SERIES
AF 4	4 – STANDARD SERIES
AF 5	5 – STANDARD SERIES
AF 6	6 – STANDARD SERIES
AF 1 D	1 – TWIN SERIES
AF 2 D	2 – TWIN SERIES
AF 3 D	3 – TWIN SERIES
AF 4 D	4 – TWIN SERIES
AF 5 D	5 – TWIN SERIES



**STACKING WASHERS – STANDARD AND TWIN SERIES**

SIG 1	1 – STANDARD SERIES
SIG 2	2 – STANDARD SERIES
SIG 3	3 – STANDARD SERIES
SIG 4	4 – STANDARD SERIES
SIG 5	5 – STANDARD SERIES
SIG 6	6 – STANDARD SERIES
SI 1/2 D	1/2 – TWIN SERIES
SI 3/5 D	3/5 – TWIN SERIES

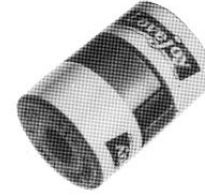


**PRODUCT LIST**

**EFFECTIVE: APRIL 1, 2011**



**LOVEJOY FLEXIBLE COUPLINGS**



---

	HUBS	SOX	HYTREL
PART No.		SPIDER	SPIDER

---

L 035  
L 050  
L 070  
L 075  
L 095  
L 100  
L 110  
L 150  
L 190  
L 225  
L 276

FOR PRICE OF COMPLETE COUPLING ADD PRICE OF TWO (2) HUBS PLUS APPROPRIATE SPIDER.

**STOCK BORES**

L 035	1/8", 3/16", 1/4", 4, 5, 6mm
L 050	1/4", 3/8", 1/2", 5/8", 8, 9, 10, 11, 12, 14, 15mm
L 070	1/4", 3/8", 1/2", 9/16", 5/8", 3/4", 10, 11, 12, 14, 15, 16, 19mm
L 075	1/4", 3/8", 1/2", 5/8", 3/4", 7/8", 10, 11, 12, 14, 15, 16, 19, 20, 22mm
L 095	7/16", 1/2", 9/16", 5/8", 3/4", 7/8", 1", 1 1/8" 14, 15, 16, 19, 20, 22, 24, 25, 28mm
L 100	7/16", 1/2", 5/8", 3/4", 7/8", 1", 1 1/8", 1 1/4", 1 3/8" 15, 19, 20, 22, 24, 25, 28, 30, 32, 35mm
L 110	5/8", 3/4", 7/8", 1", 1 1/8", 1 1/4", 1 3/8", 1 1/2" 19, 20, 24, 28, 30, 32, 35, 38, 40, 42mm
L 150	5/8", 3/4", 7/8", 1", 1 1/8", 1 1/4", 1 1/2" 24, 28, 32, 35, 38, 40, 42mm
L 190	3/4", 32, 38, 40, 42mm
L 225	3/4"
L 276	7/8"

NOTE: FOR HORSEPOWER / TORQUE RATINGS FOR COUPLINGS – CONSULT YOUR NEAREST ALFORD SALES OFFICE.

**PRODUCT LIST**

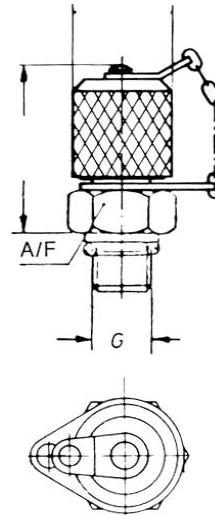
**EFFECTIVE: APRIL 1, 2011**



**MINICHECK TEST COUPLINGS – COMPLETE WITH METAL DUST CAP**

PART No.	SERIES	G THREAD	A/F	H
SKK 12 R1 / 8K – PD	1215	1/8" BSPT	14mm	29
SKK 12 R1 / 4K – PD	1215	1/4" BSPT	14mm	30
SKK 12 – 1 / 8NPT – PD	1215	1/8" BSPT	14mm	30
SKK 12 – 1 / 4NPT – PD	1215	1/4" BSPT	14mm	30
SMK 20 R1 / 8K – PD	1620	1/8" BSPT	17mm	36
SMK 20 R1 / 4K – PD	1620	1/4" BSPT	17mm	36
SMK 20 – 1 / 8NPT – PD	1620	1/8" BSPT	17mm	38
SMK 20 – 1 / 4NPT – PD	1620	1/4" BSPT	17mm	40

**OTHER THREADS AVAILABLE ON REQUEST**



**MINICHECK HOSE ASSEMBLIES – 630 BAR (9100 P.S.I.)**

PART No.	LENGTH	GAUGE THREAD	COUPLING SERIES
SMS 12M1 / 4 400A	400mm	1/4" BSPP	1215
SMS 12M1 / 4 800A	800mm	1/4" BSPP	1215
SMS 12M1 / 4 1500A	1500mm	1/4" BSPP	1215
SMS 12M1 / 4 2000A	2000mm	1/4" BSPP	1215
SMS 20M1 / 4 400A	400mm	1/4" BSPP	1620
SMS 20M1 / 4 800A	800mm	1/4" BSPP	1620
SMS 20M1 / 4 1000A	1000mm	1/4" BSPP	1620
SMS 20M1 / 4 1500A	1500mm	1/4" BSPP	1620
SMS 20M1 / 4 2000A	2000mm	1/4" BSPP	1620