



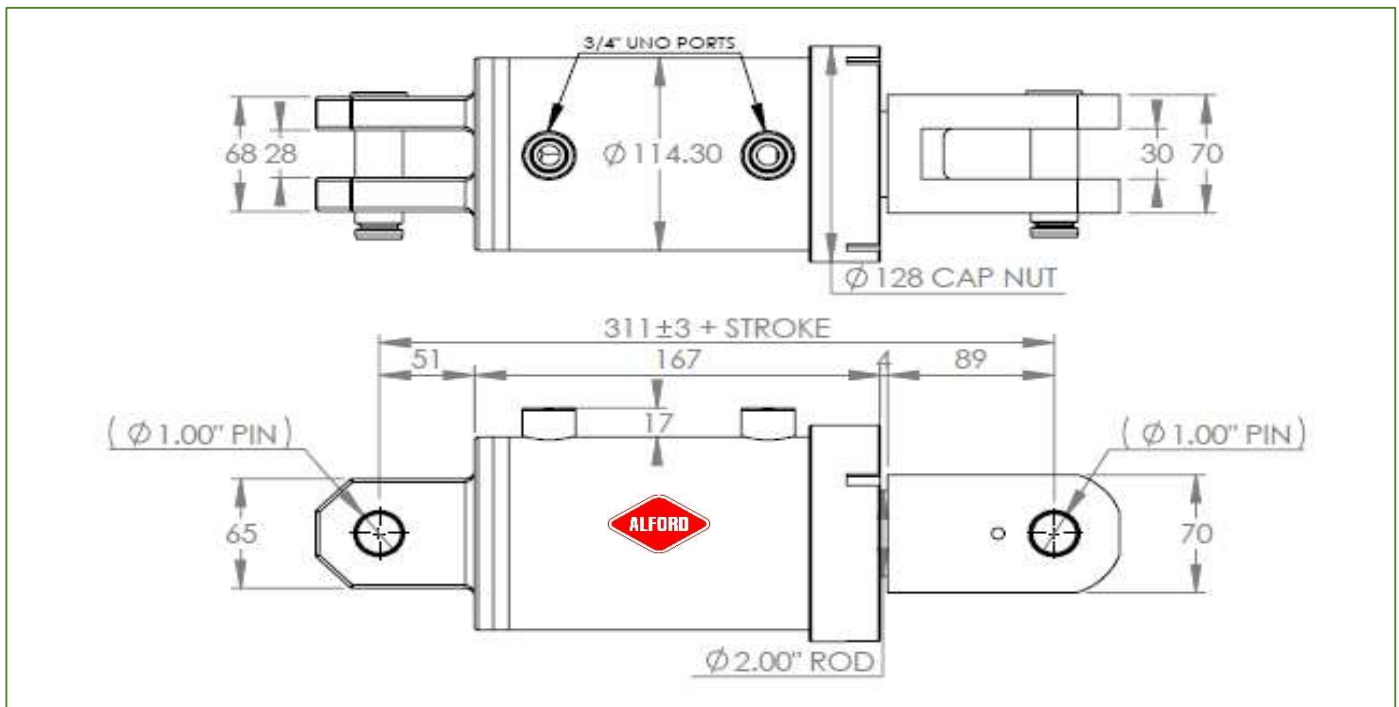
4.0" Bore 2.0" Rod GA Cylinder

Part Code	Rod Size	Stroke inch	Closed		Open		Description	Buckle Load
			inch	mm	inch	mm		Tonne
GA40A04	2"	4	16.25	413	20.25	514	Maximum Pressure: 3000psi (207 bar)	256.54
GA40A06		6	18.25	464	24.25	616		178.62
GA40A08		8	20.25	514	28.25	718		131.47
GA40A10		10	22.25	565	32.25	819		101.05
GA40A12		12	24.25	616	36.25	921		79.90
GA40A16		16	28.25	718	44.25	1124		53.65
GA40A18		18	30.25	768	48.25	1226	Ports 3/4" UNO	45.09
GA40A20		20	32.25	819	52.25	1327		38.49
GA40A24		24	36.25	921	60.25	1530		28.95
GA40A30		30	42.25	1073	72.25	1835		20.13
GA40A36		36	48.25	1226	84.25	2140	Pins 1"	14.80
GA40A42		42	54.25	1378	96.25	2445		11.34
GA40A48		48	60.25	1530	108.25	2750		8.96

Note: Consider rod buckle load and cylinder force on longer than 30" stroke.

Specifications subject to change without notice. 2nd release - April 2023.

Extend Force at Max	Tonne	Retract Force at Max	Tonne
	17.1		12.9





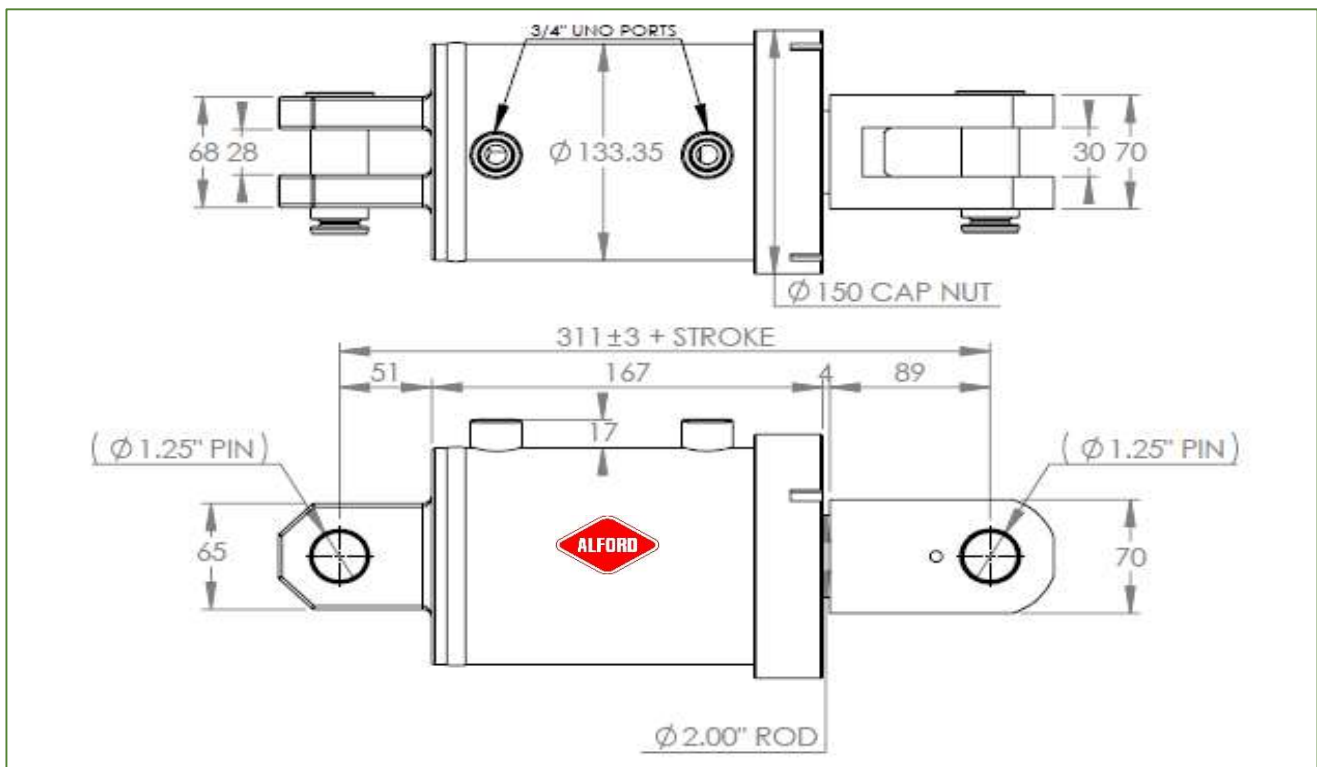
4.5" Bore 2.0" Rod GA Cylinder

Part Code	Rod Size	Stroke inch	Closed		Open		Description	Buckle Load
			inch	mm	inch	mm		Tonne
GA45A04	2"	4	16.25	413	20.25	514	Maximum Pressure: 3000psi (207 bar)	256.54
GA45A06		6	18.25	464	24.25	616		178.62
GA45A08		8	20.25	514	28.25	718		131.47
GA45A10		10	22.25	565	32.25	819		101.05
GA45A12		12	24.25	616	36.25	921	Ports 3/4" UNO	79.90
GA45A14		14	26.25	667	40.25	1022		64.89
GA45A16		16	28.25	718	44.25	1124		53.65
GA45A18		18	30.25	768	48.25	1226	Pins 1.25"	45.09
GA45A20		20	32.25	819	52.25	1327		38.49
GA45A24		24	36.25	921	60.25	1530		28.95
GA45A30		30	42.25	1073	72.25	1835		20.13
GA45A36		36	48.25	1226	84.25	2140		14.80
GA45A42		42	54.25	1378	96.25	2445		11.34
GA45A48		48	60.25	1530	108.25	2750		8.96

Note: Consider rod buckle load and cylinder force on longer than 24" stroke.

Specifications subject to change without notice. 2nd release - April 2023.

Extend Force at Max	Tonne	Retract Force at Max	Tonne
	21.69		17.4





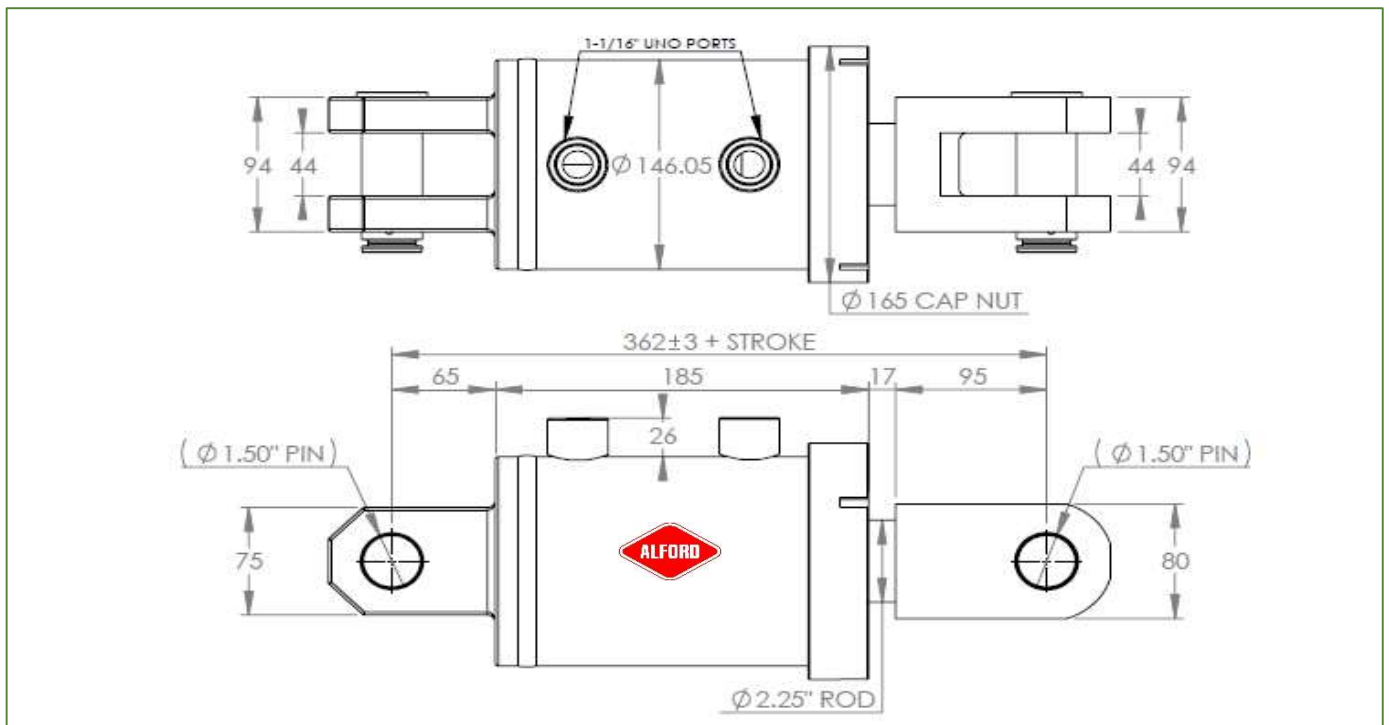
5.0" Bore 2.25" Rod GA Cylinder

Part Code	Rod Size	Stroke inch	Closed		Open		Description	Buckle Load	
			inch	mm	inch	mm		Tonne	
GA50A06	2.25"	6	20.25	514	26.25	667	Maximum Pressure: 3000psi (207 bar)	244.03	
GA50A08		8	22.25	565	30.25	768		184.07	
GA50A10		10	24.25	616	34.25	870		143.44	
GA50A12		12	26.25	667	38.25	972	Ports 1.1/16" UNO	114.91	
GA50A14		14	28.25	718	42.25	1073		94.30	
GA50A16		16	30.25	768	46.25	1175		78.64	
GA50A18		18	32.25	819	50.25	1276		66.68	
GA50A20		20	34.25	870	870	54.25	1378	Pins 1.5"	57.17
GA50A24		24	38.25	972	62.25	1581	43.43		
GA50A30		30	44.25	1124	74.25	1886	30.52		
GA50A36		36	50.25	1276	86.25	2191	22.62		
GA50A42		42	56.25	1429	98.25	2496	17.43		
GA50A48		48	62.25	1581	110.25	2800	13.85		

Note: Consider rod buckle load and cylinder force on longer than 30" stroke.

Specifications subject to change without notice. 2nd release - April 2023.

Extend Force at Max	Tonne	Retract Force at Max	Tonne
	26.78		21.35





6.0" Bore 3.0" Rod GA Cylinder

Part Code	Rod Size	Stroke inch	Closed		Open		Description	Buckle Load
			inch	mm	inch	mm		Tonne
GA60A06	3"	6	24.25	616	30.25	768	Maximum Pressure: 3000psi (207 bar)	581.74
GA60A08		8	26.25	667	34.25	870		453.33
GA60A10		10	28.25	718	38.25	972		363.18
GA60A12		12	30.25	768	42.25	1073	Ports 1-1/16" UNO	298.02
GA60A16		16	34.25	870	50.25	1276		210.74
GA60A18		18	36.25	921	54.25	1378		180.70
GA60A20		20	38.25	972	58.25	1480	Pins 2"	156.65
GA60A24		24	42.25	1073	66.25	1683		121.14
GA60A30		30	48.25	1226	78.25	1988		86.82
GA60A36		36	54.25	1378	90.25	2292		65.32
GA60A48		48	66.25	1683	114.25	2902		40.74

Specifications subject to change without notice. 2nd release - April 2023.

Extend Force at Max	Tonne	Retract Force at Max	Tonne
	38.55		28.91

