

PRODUCT LIST

EFFECTIVE: APRIL 1, 2011



PUMPS & MOTORS PRODUCT INDEX

HP GEAR PUMPS – GROUP 05 – 6mm PARALLEL SHAFT.....	PAGE 2
HP GEAR PUMPS – GROUP 1 – 1:8 TAPER SHAFT.....	PAGE 3
HP GEAR PUMPS – GROUP 2 – 1:8 TAPER SHAFT.....	PAGE 4
HP GEAR PUMPS – GROUP 1 PT TANDEM BUILD – 1:8 TAPER SHAFT.....	PAGE 5
HP GEAR PUMPS – GROUP 2 PT TANDEM BUILD – 1:8 TAPER SHAFT	
HP GEAR PUMPS – GROUP 3 PT TANDEM BUILD – 1:8 TAPER SHAFT.....	PAGE 6
HP ASSEMBLY KITS – GRP 1, GRP 2 & GRP 3 TANDEM PUMPS	
HP TANDEM PUMPS – DESIGN NOTES / DATA.....	PAGE 7
HP GEAR MOTORS – GRP 1 & GRP 2 – PARALLEL SHAFT.....	PAGE 8
HP GEAR MOTORS – GROUP 3 – PAR. SHAFT SEAL KITS ALL GROUPS	PAGE 9
HP FRONT BEARING SUPPORTS – PARALLEL SHAFT.....	PAGE 10
M T E POWERPACKS 12 & 24 VOLT DC.....	PAGE 11
M & S GEROTER ORBITAL MOTORS – MP.....	PAGE 12
M & S GEROTER ORBITAL MOTORS – MM.....	PAGE 13
M & S DISC VALVE GEROTER ORBITAL MOTORS – MS.....	PAGE 14
M & S DISC VALVE GEROTER ORBITAL MOTORS – MT.....	PAGE 15
M & S GEROLLER ORBITAL MOTORS – MR.....	PAGE 16
VALVES FOR GEROTER / GEROLLER MOTORS.....	PAGE 17
BRAKE & SUPPORT BEARING – F15.....	PAGE 18
STATIC BRAKE & SUPPORT BEARING – XF & SST.....	PAGE 19
SEAL & BEARING KITS – MOTORS.....	PAGE 20
CROSS GEAR PUMPS & MOTORS – SAE “A” & “B” FLANGE MOUNTS.....	PAGE 21
PRINCE PTO PUMPS, PTO GEARBOXES, HI-LO PUMPS & ACCESSORIES.....	PAGE 22
HAND PUMPS & TANKS.....	PAGE 23

PRODUCT LIST

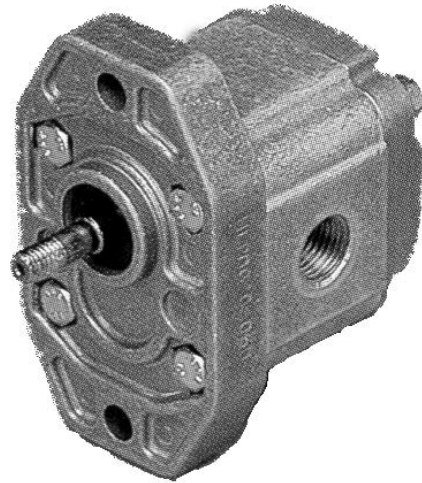
EFFECTIVE: APRIL 1, 2011



HP GEAR PUMPS - GROUP 05 - 6mm PARALLEL SHAFT

PART No.	DISP. CC/REV	BAR MAX.	R.P.M. MAX.	BSPP PORTS	KG.
HPLPA003*	0.36	240	5800	1/4"	0.40
HPLPA005*	0.54	240	5800	1/4"	0.40
HPLPA007*	0.72	230	5800	1/4"	0.41
HPLPA009*	0.93	230	5800	1/4"	0.42
HPLPA011*	1.11	230	5800	1/4"	0.43
HPLPA013*	1.30	230	5800	1/4"	0.44

* INSERT DIRECTION OF ROTATION – D CLOCKWISE
ON INDENT _ S ANTI-CLOCKWISE



HP GEAR PUMPS – GROUP 05 – TANG DRIVE

PART No.	DISP. CC/REV	BAR MAX.	R.P.M. MAX.	BSPP PORTS	KG.
HPLPA005*AB	0.54	230	5800	1/4"	0.40

* INSERT DIRECTION OF ROTATION – D CLOCKWISE _ INDENT
S ANTI-CLOCKWISE _ STOCK

* OTHER DISPLACEMENTS ON INDENT.

PRODUCT LIST

EFFECTIVE: APRIL 1, 2011



HP GEAR PUMPS - GROUP 01 - 1:8 TAPER SHAFT

PART No.	DISP. CC/REV	BAR MAX.	R.P.M. MAX.	BSPP PORTS	KG.
HPLPA114*DDG3G3	1.37	280	4000	3/8"	0.90
HPLPA119*DDG3G3	1.90	280	4000	3/8"	0.95
HPLPA124*DDG3G3	2.53	260	4000	3/8"	0.95
HPLPA131*DDG3G3	3.17	260	4000	3/8"	0.95
HPLPA136*DDG3G3	3.73	260	4000	3/8"	1.05
HPLPA144*DDG3G3	4.35	260	4000	3/8"	1.05
HPLPA148*DDG3G3	4.97	260	4000	3/8"	1.05
HPLPA160*DDG4G4	6.08	260	3000	1/2"	1.20
HPLPA170*DDG4G4	7.00	230	3000	1/2"	1.20
HPLPA180*DDG4G4	7.87	230	3000	1/2"	1.20

* INSERT DIRECTION OF ROTATION – D CLOCKWISE
S ANTI-CLOCKWISE



HP GEAR PUMPS – GROUP 02 – 1:8 TAPER SHAFT

PART No.	DISP. CC/REV	BAR MAX.	R.P.M. MAX.	BSPP PORTS	KG.
HPLPA205*MLG4G4	4.50	300	3500	1/2"	2.30
HPLPA206*MLG4G4	6.00	300	3500	1/2"	2.40
HPLPA208*MLG4G4	8.50	280	3500	1/2"	2.40
HPLPA211*MLG4G4	11.00	280	3500	1/2"	2.40
HPLPA214*MLG6G4	14.50	280	3500	1/2"	2.80
HPLPA217*MLG6G4	17.00	280	3500	1/2"	2.80
HPLPA220*MLG6G4	19.50	250	3000	1/2"	2.80
HPLPA226*MLG6G6	26.00	210	3000	3/4"	3.10
HPLPA234*MLG6G6	34.00	190	3000	3/4"	3.40
HPLPA240*MLG6G6	40.50	180	3000	3/4"	3.60

* INSERT DIRECTION OF ROTATION – D CLOCKWISE
S ANTI-CLOCKWISE

TANDEM PUMPS – REFER PAGE 03

PRODUCT LIST

EFFECTIVE: APRIL 1, 2011



HP GEAR PUMPS - GROUP 01- PT TANDEM BUILD - 1:8 TAPER SHAFT

PART No.	DISP. CC/REV	BAR MAX.	R.P.M. MAX.	BSPP PORTS	KG.
HPLPT114*DDG3G3	1.37	280	4000	3/8"	0.90
HPLPT119*DDG3G3	1.90	280	4000	3/8"	0.95
HPLPT124*DDG3G3	2.53	260	4000	3/8"	0.95
HPLPT131*DDG3G3	3.17	260	4000	3/8"	0.95
HPLPT136*DDG3G3	3.73	260	4000	3/8"	1.05
HPLPT144*DDG3G3	4.35	260	4000	3/8"	1.05
HPLPT148*DDG3G3	4.97	260	4000	3/8"	1.05
HPLPT160*DDG4G4	6.08	260	3000	1/2"	1.20
HPLPT170*DDG4G4	7.00	230	3000	1/2"	1.20
HPLPT180*DDG4G4	7.87	230	3000	1/2"	1.20

* INSERT DIRECTION OF ROTATION – D CLOCKWISE
S ANTI-CLOCKWISE



HP GEAR PUMPS – GROUP 02 – PT TANDEM 1:8 TAPER SHAFT

PART No.	DISP. CC/REV	BAR MAX.	R.P.M. MAX.	BSPP PORTS	KG.
HPLPT205*MLG4G4	4.50	300	3500	1/2"	2.30
HPLPT206*MLG4G4	6.00	300	3500	1/2"	2.40
HPLPT208*MLG4G4	8.50	280	3500	1/2"	2.40
HPLPT211*MLG4G4	11.00	280	3500	1/2"	2.40
HPLPT214*MLG6G4	14.50	280	3500	1/2"	2.80
HPLPT217*MLG6G4	17.00	280	3500	1/2"	2.80
HPLPT220*MLG6G4	19.50	250	3000	1/2"	2.80
HPLPT226*MLG6G6	26.00	210	3000	3/4"	3.10
HPLPT234*MLG6G6	34.00	190	3000	3/4"	3.40
HPLPT240*MLG6G6	40.50	180	3000	3/4"	3.60

* INSERT DIRECTION OF ROTATION – D CLOCKWISE
S ANTI-CLOCKWISE

TANDEM PUMP BUILD KITS – REFER PAGE 04

TANDEM PUMP DESIGN DATA – REFER PAGE 05

PRODUCT LIST

EFFECTIVE: APRIL 1, 2011



HP GEAR PUMPS - GROUP 03 – PT TANDEM BUILD - 1:8 TAPER SHAFT

PART No.	DISP. CC/REV	BAR MAX.	R.P.M. MAX.	BSPP PORTS	KG.
HPLPT322*W2G6G6	21.50	310	3000	3/4"	6.20
HPLPT326*W2G6G6	26.00	300	3000	3/4"	6.20
HPLPT331*W2G6G6	30.50	280	3000	3/4"	6.20
HPLPT336*W2G7G6	36.00	280	3000	1"	6.50
HPLPT341*W2G7G6	41.50	280	3000	1"	7.20
HPLPT347*W2G7G6	46.50	270	3000	1"	7.20
HPLPT351*W2G7G6	50.50	270	3000	1"	7.20
HPLPT361*W2G7G6	61.00	200	2500	1"	7.60
HPLPT373*W2G8G7	72.50	180	2500	1.25"	8.00
HPLPT390*W2G8G7	89.00	170	2500	1.25"	8.60

* INSERT DIRECTION OF ROTATION – D CLOCKWISE
S ANTI-CLOCKWISE

HP ASSEMBLY KITS – PT TANDEM PUMPS

ALLOWS BUILD UP FROM HPLPT PUMPS INTO TANDEM COMBINATIONS MAX. 4 GROUPED

PART No.	TANDEM GROUP
HPLKA11STR	1 + 1
HPLKA21STR	2 + 1
HPLKA31STR	3 + 1
HPLKA22STR	2 + 2
HPLKA32STR	3 + 2
HPLKA33STR	3 + 3

TANDEM PUMP DESIGN DATA – REFER PAGE 05

PRODUCT LIST

EFFECTIVE: APRIL 1, 2011



MULTIPLE PUMP SYSTEMS

A MULTIPLE SYSTEM RESULTS BY COUPLING MORE THAN ONE PUMP (UP TO MAX. 4) TOGETHER AND DRIVING THEM BY THE SAME SHAFT.

THE INTERPOSAL OF A JOINT PERMITS THE DIFFERENT PUMP SECTIONS (KEPT SEPERATED) TO DRIVE

ONE ANOTHER. COMMONLY EACH PUMP MAINTAINS ITS OWN INDEPENDENT INLET AND OUTLET.

OPERATING DATE

ALL DATA CONTAINED IN THE HP PUMPS & MOTORS CATALOGUE SHOULD BE REFERRED TO FOR EACH SINGLE PUMP UNIT WITH THE FOLLOWING RESTRICTIONS BEING TAKEN INTO ACCOUNT.

MAXIMUM PRESSURE/MAXIMUM TORQUE

MAXIMUM PRESSURES ARE LIMITED BY THE MAXIMUM TORQUE AN INPUT SHAFT OR INPUT JOINT CAN TRANSMIT, CONSIDERING THAT:

1. THE INPUT SHAFT MUST TRANSMIT THE NECESSARY TORQUE FOR DRIVING ALL SECTIONS.
2. THE INPUT JOINT MUST TRANSMIT THE NECESSARY TORQUE FOR DRIVING THE SECTIONS LOCATED AT ITS BACK.
3. MAXIMUM SPEED IS REPRESENTED BY THE MINIMUM VALUE AMONG THE MAXIMUM SPEEDS OF ALL SECTIONS.
4. MAXIMUM TRANSMITTED TORQUES ARE TABULATED AND SUMMARISED BELOW:

<u>COUPLING JOINT</u>	<u>MAX.TRANSMITTED TORQUE</u>
HPLP.3 + HPLP.3	200 N.m
HPLP.3 + HPLP.2 HPLP.2 + HPLP.2	100 N.m
HPLP.3 + HPLP.1 HPLP.2 + HPLP.1	
HPLP.1+ HPLP.1	30 N.m

MAXIMUM SHAFT TORQUE

<u>PUMP GROUP</u>	<u>SHAFT</u>	<u>N.m</u>
GROUP 1	1:8 TAPER	25
GROUP 2	1:8 TAPER	140
GROUP 3	1:8 TAPER	240

NOTE: INFORMATION AS PROVIDED BY HP HYDRAULIC

PRODUCT LIST

EFFECTIVE: APRIL 1, 2011



HP GEAR MOTORS – GROUP 01 – PARALLEL SHAFT

PART No.	DISP. CC/REV	BAR MAX.	R.P.M. MAX.	BSPP PORTS	KG.
HPLMA124BDEG3G3	2.53	260	4000	3/8"	0.95
HPLMA131BDEG3G3	3.17	260	4000	3/8"	0.95
HPLMA136BDEG3G3	3.73	260	4000	3/8"	1.05
HPLMA144BDEG3G3	4.35	260	4000	3/8"	1.05
HPLMA148BDEG3G3	4.97	260	4000	3/8"	1.05
HPLMA160BDEG4G4	6.08	260	3600	1/2"	1.20
HPLMA170BDEG4G4	7.00	230	3600	1/2"	1.20
HPLMA180BDEG4G4	7.87	200	3600	1/2"	1.20

REVERSIBLE MOTORS – CASE DRAIN PORT 1/4" BSPP * MUST BE CONNECTED DIRECTLY TO TANK.

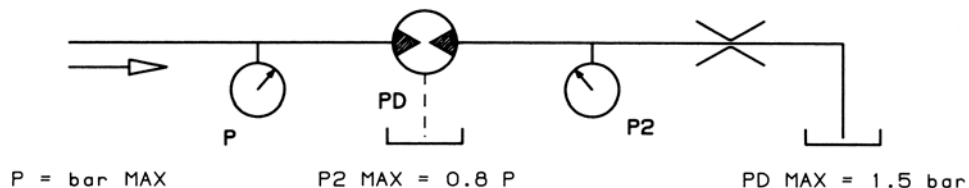
- * CAN ALSO BE M12 x 1.5 PITCH – USE RYCO M7L-1209 + MB12 BONDED SEAL.
- * CHECK DRAIN PORT SIZE BEFORE INSTALLING FITTING.

HP REVERSIBLE GEAR MOTORS – GROUP 02 – PARALLEL SHAFT

PART No.	DISP. CC/REV	BAR MAX.	R.P.M. MAX.	BSPP PORTS	KG.
HPLMA208BMNG4G4	8.50	230	3500	1/2"	2.40
HPLMA211BMNG4G4	11.00	230	3500	1/2"	2.40
HPLMA214BMNG6G4	14.50	230	3000	3/4"	2.80
HPLMA217BMNG6G4	17.00	210	3000	3/4"	2.80
HPLMA220BMNG6G4	19.50	200	3000	3/4"	2.80
HPLMA226BMNG6G6	26.00	180	2500	3/4"	3.10

REVERSIBLE MOTORS – CASE DRAIN PORT 1/4" BSPP MUST BE CONNECTED DIRECTLY TO TANK.

WORKING CONDITIONS WITH BACK PRESSURE (ONLY GROUP 200)



PRODUCT LIST

EFFECTIVE: APRIL 1, 2011

**HP REVERSIBLE GEAR MOTORS - GROUP 03 - PARALLEL SHAFT**

PART No.	DISP. CC/REV	BAR MAX.	R.P.M. MAX.	BSPP PORTS	KG.
HPLMA326HW4G6G6	25.90	260	3300	3/4"	6.20
HPLMA331HW4G6G6	30.20	260	3300	3/4"	6.20
HPLMA336HW4G7G6	36.00	250	3000	1"	6.50
HPLMA341HW4G7G6	41.80	240	3000	1"	7.20
HPLMA347HW4G7G6	46.10	230	3000	1"	7.20
HPLMA351HW4G7G6	50.40	220	2800	1"	7.20
HPLMA361HW4G7G6	61.00	200	2500	1"	7.60

THESE MOTORS ARE INTERNALLY DRAINED.

LAMBORGHINI SEAL KITS – PUMPS & MOTORS


PART No.	PUMP / MOTOR	GROUP	SERIES	SHAFT
02.8100.010	PUMP	05	HLP	PARALLEL
02.8150.010	PUMP	1	HLP	TAPER
02.8151.010	PUMP	1	HLP	PARALLEL
02.8162.010	PUMP	1	MLP	TAPER
02.8163.010	PUMP	1	MLP	PARALLEL
02.8200.010	PUMP	2	HLP	ALL
02.8208.010	PUMP	2	MLP	ALL
02.8222.010	TANDEM PUMP	2	MLP	ALL
02.8250.010	PUMP	3	HLP	ALL
02.8251.010	PUMP	3	KLP	ALL
02.8300.010	PUMP	4	HLP	ALL
02.8350.010	PUMP	3	MLP	ALL
02.8156.010	MOTOR	1	MLM	TAPER
02.8157.010	MOTOR	1	MLM	PARALLEL
02.8206.010	MOTOR	2	HLM	ALL
02.8209.010	MOTOR	2	MLM	ALL
02.8253.010	MOTOR	3	K/MLM	ALL
02.8352.010	MOTOR	3	RMLM	ALL
02.8353.010	MOTOR	3.5	RMLM	ALL

PRODUCT LIST


EFFECTIVE: APRIL 1, 2011



HP INDEPENDENT FRONT BEARING SUPPORTS - PARALLEL SHAFT

PART No.	PUMP GROUP		SHAFT	KG.
SU / 1C	1		18mm	1.00
SUr / 2C	2		22mm	1.90
SU / 3C	3		24mm	2.15

SPLINED COUPLINGS AND HUBS FOR SU SERIES BEARING SUPPORTS

PART No.	GROUP		SHAFT
2100.0007.010	1		1:8 TAPER
2100.0008.010	2		1:8 TAPER
2100.0003.010	3		1:8 TAPER

HP SEAL KITS – PUMPS & MOTORS - DOES NOT INCLUDE SHAFT SEAL

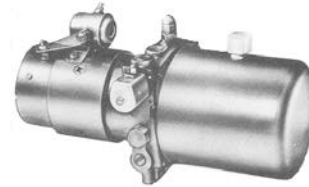
PART No.	PUMP/ MOTOR	GROUP	SERIES	SHAFT
HPL 48671	PUMP	1	HPLPA	TAPER
HPL 48672	PUMP	2	HPLPA	TAPER
HPL 48673	PUMP	3	HPLPA	TAPER
HPL0600.0002.030R	SHAFT SEAL	1	HPLPA	TAPER
HPL0600.0017.030R	SHAFT SEAL	2	HPLPA	TAPER

PRODUCT LIST

EFFECTIVE: APRIL 1, 2011



DC POWERPACKS 9/16" UN PORTS



Model No.	Description	Type of Control	Voltage	Tank Capacity
MP08D101-12V	Pump & Motor	None	12 VDC	None
MP08D101-24V			24 VDC	
N08E001L	Pump/Motor & Tank	None	12 VDC	3.8 Litre
N08E060L			24 VDC	
E08E001L	Pump/Motor & Tank	S/A	12 VDC	3.8 Litre
E08E060L	Single Acting Control	Solenoid	24 VDC	
M08E001 L	Pump/Motor & Tank	S/A	12 VDC	3.8 Litre
M08E060L	Single Acting Control	Manual	24 VDC	
D08E12V/2Pos.	Pump/Motor & Tank	2 Pos. D/A	12 VDC	3.8 Litre
D08E24V/2Pos.	Double Acting Control	Solenoid	24 VDC	
D08E001I	Pump/Motor & Tank	3 Pos. D/A	12 VDC	3.8 Litre
D08E060I	Double Acting Control	Solenoid	24 VDC	

POWERPACK TANK OPTIONS

Model	Description	Tank Capacity	Dimensions mm			—
			L	W	H	
1300905	Cylindrical Reservoir	5.70 Litres	305	168	-	
1300908	Rectangular reservoir	9.50 Litres	305	165	203	
1300909	Rectangular reservoir	15.20 Litres	470	165	203	
1300117	Rectangular reservoir	22.50 Litres	470	229	229	

POWERPACK OPTIONAL EXTRAS

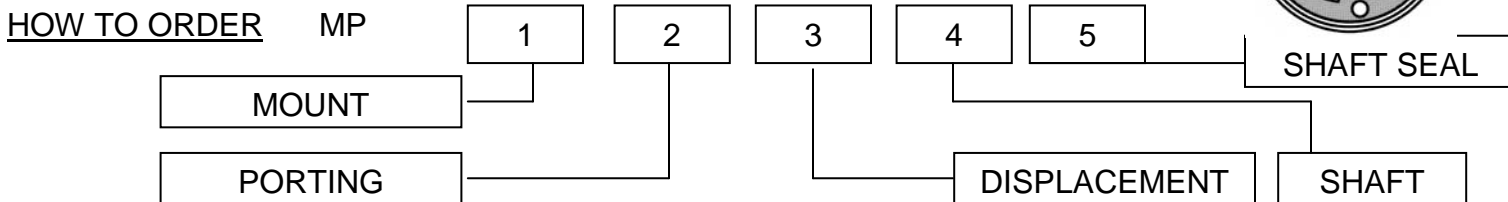
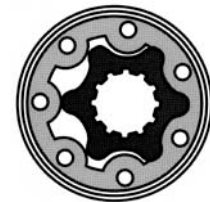
Model No.	Description	To Suit
1300036	1 U.S. GPM Flow Control – Pressure Comp	All Units
1300022	2 U.S. GPM Flow Control – Pressure Corp	All Units
DC1097	Single Acting Cord Set (3.0 Metres Long)	E 08 E
DC1098	Double Acting Cord Set (3.0 Metres Long)	D08E 2 Pos.
DC1099	Double Acting Cord Set (3.0 Metres Long)	D08E 3 Pos.

PRODUCT LIST

EFFECTIVE: APRIL 1, 2011



MP GEROTOR ORBITAL MOTOR 1/2" BSPP PORTS



TOTAL LIST PRICE = 1 + 2 + 3 + 4 + 5

1	<u>MOUNT</u>	<u>CODE</u>	<u>PRICE</u>
	SAE 'A' 2 Bolt		
	SAE 'A' 4 Bolt	Q	\$30.00
2	<u>PORTING</u>	<u>CODE</u>	<u>PRICE</u>
	Side Ports		
	Rear Ports	E	\$36.00
4	<u>SHAFT</u>	<u>CODE</u>	<u>PRICE</u>
	25mm Keyed	C	
	1.0"Keyed	CO	
	1"6B Splined	SH	\$11.00
	14T Metric Splined	SA	\$19.00

3	<u>DISPLACEMENT</u>	<u>CODE</u>	_____
	Cc/rev		
	40	040	
	50	050	
	80	080	
	100	100	
	125	125	
	160	160	
	200	200	
	250	250	
	315	315	
	400	400	
	500	500	
	630	630	
5	<u>SEAL</u>	<u>CODE</u>	_____
	150 Bar	D	
	200 Bar	U	

MP			40	50	80	100	125	160	200	250	315	400	500	630		
Displacement	cc/rev		39.7	49.5	79.2	99	124	158	198	248	317	396	495	624		
Max Pressure	bar	cont	120	175	175	175	175	175	175	175	175	175	175	140	140	
		inter	155	200	200	200	200	200	200	200	200	200	200	200	175	175
		peak	225	225	225	225	225	225	225	225	225	225	225	225	225	225
Max Torque	daNm	cont	6.4	9.4	15.1	19.3	23.7	31.3	36.6	38	38	36	39	44		
		inter	8.4	11.9	19.5	23.7	29.8	37.8	45.6	58.3	56	59	57	64		
		peak	11.3	14.3	22.4	27.5	36.5	43.8	55	68.5	85	85.4	78	82		
Max Flow	l/min	Cont	60	60	60	60	60	60	60	60	60	60	60	60		
		inter	70	75	75	75	75	75	75	75	75	75	75	75		
		Cont	1510	1210	755	605	486	378	303	242	190	150	120	95		
Max Speed	rpm	inter	1760	1515	945	755	605	472	378	303	236	189	150	120		
Max Power	kW	Cont	8.5	10.1	10.2	10.5	10	10.1	10	7.5	5.7	4.6	3.5	3.3		
		inter	10	12.2	12.5	12.8	12	12.1	12	12	9	7.8	7.2	5.6		
Dimensions	mm	L	134	135	139	141	145	150	155	162	171	182	195	213		
		L,	5.35	6.67	10.7	13.3	16.7	21.3	26.7	33.3	42.7	53.3	66.6	84		
Weight	Kg		5.8	5.9	6	6.1	6.2	6.4	6.6	6.8	7.1	7.6	8.9	9.5		

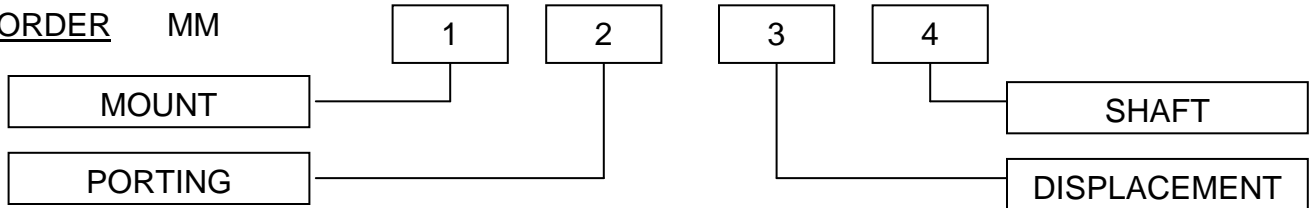
PRODUCT LIST

EFFECTIVE: APRIL 1, 2011



MM GEROTOR HYDRAULIC MOTORS 3/8" BSPP PORTS

HOW TO ORDER MM



TOTAL LIST PRICE = 1 + 2 + 3 + 4

1	MOUNT	CODE	_____
	No Mount Flange		
	Mounting Flange	F	
2	PORTING	CODE	_____
	Side Ports	S	
	Rear Ports		
4	SHAFT	CODE	_____
	16mm Keyed	C	
	9T Splined Shaft	SH	

3	DISPLACEMENT	CODE	_____
	cc / REV		
	8	8	
	12	12	
	20	20	
	32	32	
	40	40	
	50	50	

MM			8	12	20	32	40	50
Displacement	cc/rev		8.2	12.9	20	31.8	40	50
Max Pressure	bar	cont	100	100	100	100	80	70
		inter	140	140	140	140	110	90
		peak	200	200	200	200	140	125
Max Torque	daNm	cont	1.1	1.6	2.5	4	4.1	4.5
		inter	1.5	2.3	3.5	5.7	5.7	5.8
		peak	2.1	3.3	5.1	6.4	6.6	8
Max Flow	l/min	Cont	16	20	20	20	20	20
		inter	20	25	25	25	25	25
Max Speed	rpm	Cont	1950	1550	1000	630	500	400
		inter	2440	1940	1250	790	625	500
Max Power	kW	Cont	1.8	2.4	2.4	2.4	1.8	1.7
		inter	2.6	3.2	3.2	3.2	3	2.1
Dimensions	mm	L	104	106	109	114	117.5	121.5
		L,	3.5	5.5	8.5	13.5	17	21
Weight	Kg		1.9	2	2.1	2.2	2.3	2.5

PRODUCT LIST

EFFECTIVE: APRIL 1, 2011



VALVES FOR MS / MSS MOTORS

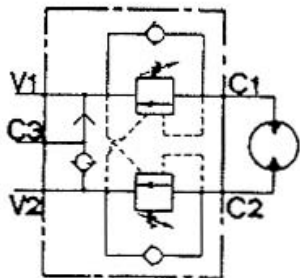
PART No.	DESCRIPTION	BRAKE RELEASE	PILOT RATIO	LTRS MIN.
KPBS250/1/D	DUAL OVERCENTRE	YES	4.25 : 1	60
KPDSH210	CROSS LINE RELIEF			60
KPWS	SHUTTLE VALVE	YES		60

VALVES FOR MP / MR MOTORS

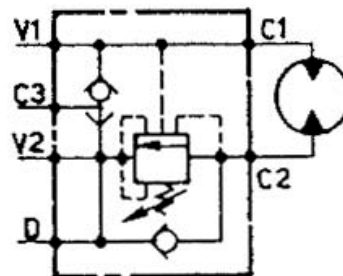
KPWR	SHUTTLE VALVE	YES		60
KPDRH210	CROSSLINE RELIEF			60
KPBR250/1/D	DUAL OVERCENTRE	YES	4.25 : 1	60

VALVES FOR MT / MTS MOTORS

KPDT210	CROSS PORT RELIEF			120
KPBT250/1/D	DUAL OVERCENTRE	YES	4.25 : 1	100



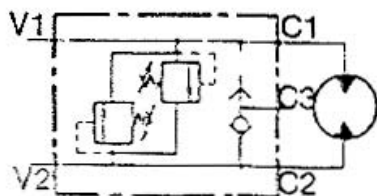
DUAL OVERCENTRE



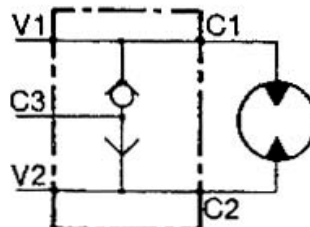
SINGLE OVERCENTRE

VALVE PORTS

V1 - V2 1/2" BSP
C3 1/8" BSP



CROSS LINE RELIEF



SHUTTLE

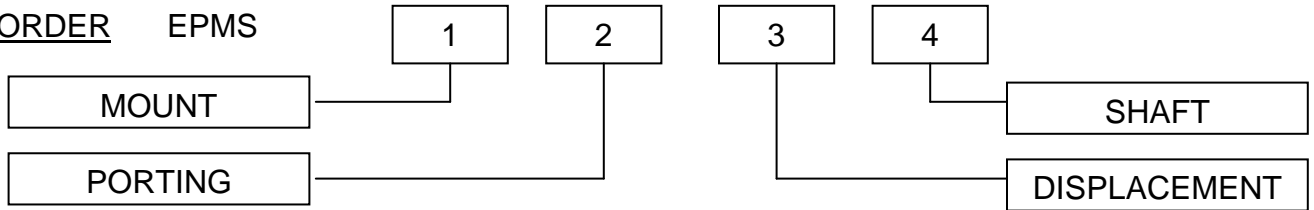
PRODUCT LIST

EFFECTIVE: APRIL 1, 2011



MS DISC VALVE GEROTOR ORBITAL MOTOR 1/2" BSPP PORTS

HOW TO ORDER



TOTAL LIST PRICE =

1 + 2 + 3 + 4

1	MOUNT	CODE	_____
	Sae 'A' 2 Bolt		
	Sae 'A' 4 Bolt	Q	
	Wheel Mount	w	
2	PORTING	CODE	_____
	Side Ports		
	Rear Ports	E	
4	SHAFT	CODE	_____
	32mm Keyed	C	
	1.25" Keyed	CO	
	1:10 Taper	K	
	1.25" 14T Splined	SH	
	PTO GT Splined	SL	

3	DISPLACEMENT	CODE	_____
	cc / REV		
	80	80 COU	
	100	100 COU	
	125	125 COU	
	160	160 COU	
	200	200 COU	
	250	250 COU	
	315	315 COU	
	400	400 COU	
	475	475 COU	
	565	565 COU	
715	715 COU		
FOR SHORT MOTORS SUBTRACT FROM LIST PRICE			T.B.A.

MM			80	100	125	160	200	250	315	400
Displacement	cc/rev		80.5	100	125.7	159.7	200	250	314.9	397
Max Pressure	bar	cont	175	175	175	150	140	125	120	120
		inter	210	210	210	210	175	155	140	120
		peak	225	225	225	225	225	200	185	140
Max Torque	daNm	cont	20	25	32	34	40	45	54	58
		inter	24	30	38	48	50	54	63	69
		peak	26	32	40	51	65	69	84	85
Max Flow	l/min	Cont	65	75	75	75	75	75	75	75
		inter	80	90	90	90	90	90	90	90
Max Speed	rpm	Cont	810	750	600	470	375	375	240	210
		inter	1000	900	720	560	450	450	285	250
Max Power	kW	Cont	16	17.5	17.5	15.5	14	12.5	11.5	10
		inter	19	21	21	21	17.5	15	13.5	13
MS										
Dimensions	mm	L	166	169	174	180	187	195	207	221
		L,	121	125	129	135	142	151	162	176
Weight	Kg		9.8	10	10.3	10.7	11.1	11.6	12.3	13.2
MSS										
Dimensions	mm	L	123	127	131	137	144	153	164	179
		L,	80	84	87	93	100	109	120	135
Weight	Kg		7.8	8	8.3	8.7	9.1	9.6	10.3	11.2

PRODUCT LIST

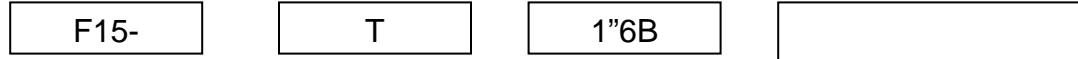
EFFECTIVE: APRIL 1, 2011



COMBINATION BRAKE AND SUPPORT BEARINGS

F15 brake is a multidisk, oil immersed unit complete with a fully supported output shaft which can accept side loading. **This brake is designed for orbital motors only.**

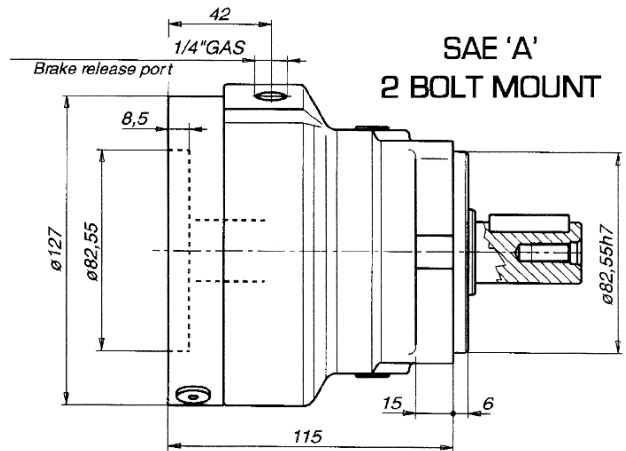
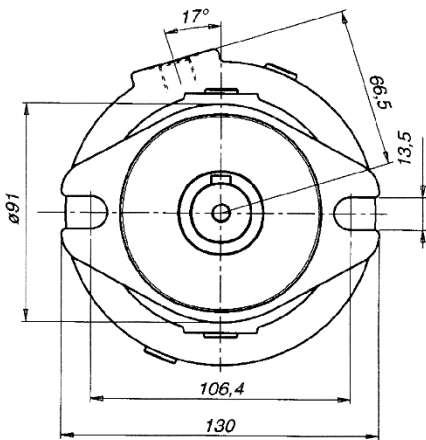
HOW TO ORDER



<u>TORQUE</u>	<u>CODE</u>
18-20 DaNm	20
27-30 DaNm	30
37-40 DaNm	40
47-50 DaNm	50
57-60 DaNm	60

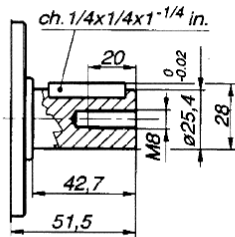
<u>INPUT SHAFT</u>	
SAE 'A' Mount 1"6B Shaft	
Suits	EPM***SHU
	EPRM***SHU
	GLD***ISAS
	GMD***ISAS
	GLDR***ISAS

<u>OUTPUT SHAFT</u>	<u>CODE</u>
1" Keyed	U254
1"6B Splined	U1"6B
32mm Keyed	U32

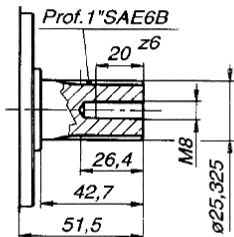


OUTPUT SHAFTS

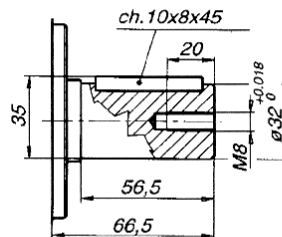
'U254' SHAFT



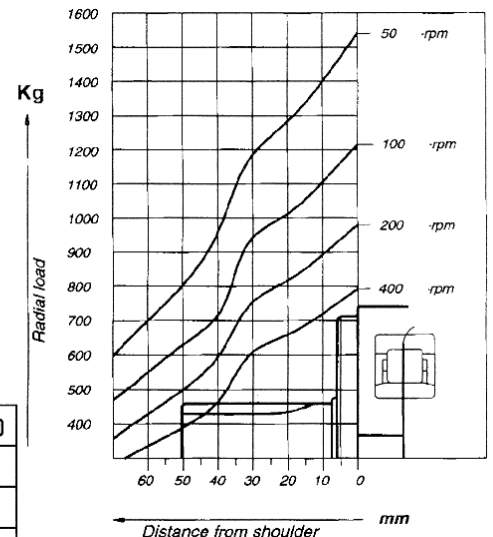
'U1"6B" SHAFT



'U32" SHAFT



TYPE		F15-20	F15-30	F15-40	F15-50	F15-60
Static Torque	daNm	18-20	27-30	37-40	47-50	57-60
Release Pressure	bar	15	19	25	31	31
Max Pressure	bar	250				



PRODUCT LIST

EFFECTIVE: APRIL 1, 2011



'XF' STATIC BRAKES AND 'SST' SUPPORT BEARINGS

STATIC BRAKE

Requires SAE 'A' 2 Bolt input with 14T Metric Splined Shaft.

Suits motor codes

GLD***MSA**

GLDR***MSA**

GMD***MSA**

MP***SAU**

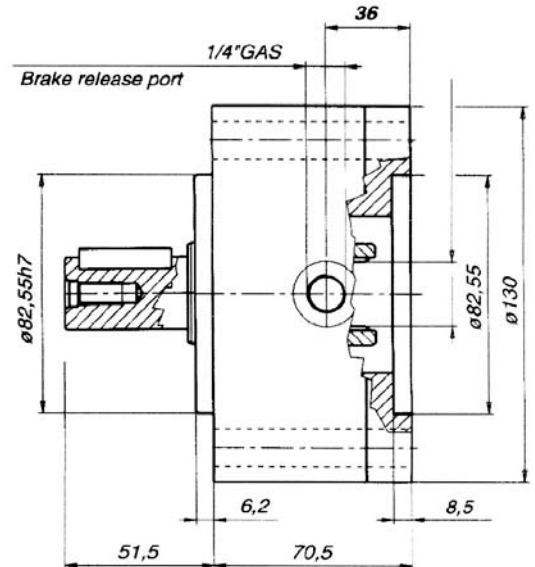
MR***SAU**

**SAE 'A' 2 BOLT MOUNT
1" KEYED OUTPUT SHAFT**

HOW TO ORDER

XF

ESU25.4



<u>TORQUE</u>	<u>RELEASE PRESSURE</u>	<u>CODE</u>
8-10 DaNm	9 Bar	10
18-20 DaNm	15 Bar	20
27-30 DaNm	19 Bar	30
37-40 DaNm	25 Bar	40
47-50 DaNm	31 Bar	50

<u>TORQUE</u>	<u>RELEASE PRESSURE</u>	<u>CODE</u>
8-10 DaNm	9 Bar	10
18-20 DaNm	15 Bar	20
27-30 DaNm	19 Bar	30
37-40 DaNm	25 Bar	40
47-50 DaNm	31 Bar	50

MAX PRESSURE 250 BAR

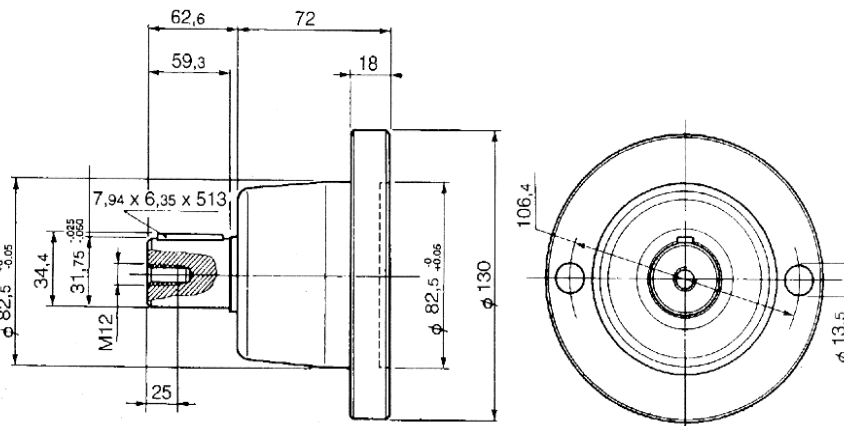
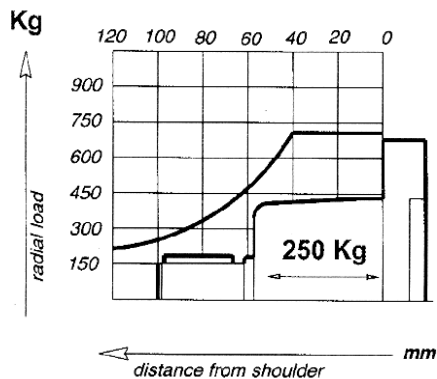
- **NO RADIAL LOAD PERMISSABLE**
- **OUTPUT SHAFT TO BE SUPPORTED**

SUPPORT BEARING - SAE 'A' INPUT

2000 Hours life @ 200 rpm

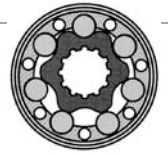
<u>CODE</u>	<u>SST-P</u>

INPUT SHAFT 1" Keyed
OUTPUT SHAFT 1.25" Keyed

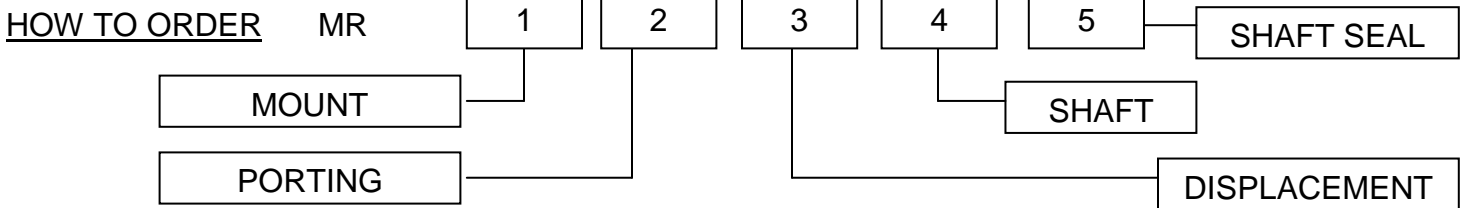


PRODUCT LIST

EFFECTIVE: APRIL 1, 2011



MR GEROLLER ORBITAL MOTOR 1/2" BSPP PORTS



TOTAL LIST PRICE = 1 + 2 + 3 + 4 + 5

1	<u>MOUNT</u> SAE 'A' 2 Bolt SAE 'A' 4 Bolt	<u>CODE</u> ____ Q	____
2	<u>PORTING</u> Side Ports Rear Ports	<u>CODE</u> ____ E	____
4	<u>SHAFT</u> 25mm Keyed 1.0" Keyed 1"6B Splined 14T Metric Splined	<u>CODE</u> ____ C CO SH SA	____
5	<u>SEAL</u> 150 Bar 200 Bar	<u>CODE</u> ____ D U	____

3	<u>DISPLACEMENT</u> cc / REV	<u>CODE</u> ____
	50	050
	80	080
	100	100
	125	125
	160	160
	200	200
	250	250
	315	315
	400	400

MM			50	80	100	125	160	200	250	315	400
Displacement cc/rev			51.5	80.3	99.8	125.7	159.6	199.8	250.1	315.7	397
Max Pressure bar	cont		140	175	175	175	175	175	110	135	115
	inter		175	200	200	200	200	200	175	160	140
	peak		225	225	225	225	225	225	225	210	175
Max Torque daNm	cont		10.1	19.5	24	30	39	38.5	39	39	38
	inter		13	22	28	34	43	46	58	57	60
	peak		17	22.4	32	37	46	56	71	83	87
Max Flow l/min	Cont		40	40	60	60	60	60	60	60	60
	inter		50	50	75	75	75	75	75	75	75
Max Speed rpm	Cont		775	750	600	475	375	300	240	190	150
	inter		970	940	750	600	470	375	300	240	190
Max Power kW	Cont		7	12.5	13	12.5	11.5	9	6.5	6	4.8
	inter		8.5	15	15	14.5	14	11.5	10.5	9.6	8.8
Dimensions mm	L		138	143	146.4	150.8	156.8	163.8	172.5	183.5	198.4
	L,		9	14	17.4	21.8	27.8	34.8	43.5	54.8	69.4
Weight Kg			6.8	6.9	7.2	7.3	7.5	8	8.4	9.1	9.8

CONSULT ALFORD SALES OFFICES FOR DETAILS ON PLANETARY GEARBOXES WITH ORBITAL MOTOR INPUTS AND ELECTRIC MOTOR INPUT.

PRODUCT LIST

EFFECTIVE: APRIL 1, 2011



SEAL KITS AND BEARING KITS



PART No.

SKGLC	SEAL KIT	- GLC	MOTORS
SKGLS	SEAL KIT	- GLS	MOTORS
SKGLD	SEAL KIT	- GLD	MOTORS
SKGLDR	SEAL KIT	- GLDR	MOTORS
SKGMD	SEAL KIT	- GMD	MOTORS
SKMP	SEAL KIT	- MP	MOTORS
SKMM	SEAL KIT	- MM	MOTORS
SKMS	SEAL KIT	- MS	MOTORS
SKMT	SEAL KIT	- MT	MOTORS
SKMR	SEAL KIT	- MR	MOTORS
GLD001	BEARING KIT	- GLD / GLDR	MOTORS
GMD001	BEARING KIT	- GMD	MOTORS

BEARING KITS FOR OTHER M SERIES MOTORS NOT AVAILABLE AT TIME OF PRINT

PRODUCT LIST

EFFECTIVE: APRIL 1, 2011



CROSS GEAR PUMPS & MOTORS – SAE “A” AND “B” FLANGE MOUNTS

PART No.

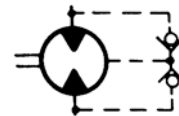
DISPLACEMENT



40PH05DACSC	0.500 CU . IN / REV (8.20 CC / REV)
40PH07DACSC	0.750 CU . IN / REV (12.30 CC / REV)
40PH10DACSC	1.000 CU . IN / REV (16.40 CC / REV)
40PH12DACSC	1.250 CU . IN / REV (20.50 CC / REV)
40PH15DACSC	1.500 CU . IN / REV (24.60 CC / REV)
40PH18DACSC	1.800 CU . IN / REV (29.50 CC / REV)
40PH05DAKSC	0.500 CU . IN / REV (8.20 CC / REV)
40PH07DAKSC	0.750 CU . IN / REV (12.30 CC / REV)
40PH10DAKSC	1.000 CU . IN / REV (16.40 CC / REV)
40PH12DAKSC	1.250 CU . IN / REV (20.50 CC / REV)
40PH15DAKSC	1.500 CU . IN / REV (24.60 CC / REV)
40PH18DAKSC	1.800 CU . IN / REV (29.50 CC / REV)
50PH15DBCSC	1.520 CU . IN / REV (24.90 CC / REV)
50PH19DBCSC	1.950 CU . IN / REV (32.00 CC / REV)
50PH23DBCSC	2.320 CU . IN / REV (38.40 CC / REV)
50PH27DBCSC	2.740 CU . IN / REV (44.90 CC / REV)
50PH33DBCSC	3.300 CU . IN / REV (54.10 CC / REV)
50PH38DBCSC	3.800 CU . IN / REV (62.30 CC / REV)
50PH52DBCSC	5.200 CU . IN / REV (85.20 CC / REV)

OPTIONS

SPLINED SHAFT - NO CHARGE (CODE A)
REAR PORTS - ADDITIONAL CHARGE

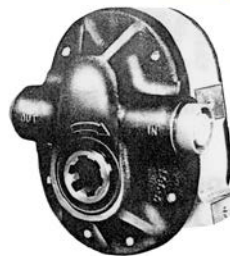


PUMP CODING

40	=	SERIES (OR 50)
P	=	PUMP
H	=	250psi PUMP SHAFT SEAL
5	=	DISPLACEMENT (SUBSTITUTE FOR DISPLACEMENT REQUIRED)
D	=	DUAL ROTATION
A	=	SAE “A” FLANGE MOUNT (40 SERIES)
B	=	SAE “B” FLANGE MOUNT (50 SERIES)
C	=	0.625” DIA. PARALLEL KEYED SHAFT (40 SERIES)
K	=	0.750” DIA. PARALLEL LONG KEYED SHAFT (40 SERIES)
C	=	0.875” DIA. PARALLEL KEYED SHAFT (50 SERIES)
SC	=	PORTS 1 1/16” – 12 INLET 1 1/16” – 12 OUTLET (40 SERIES)
		PORTS 1 5/16” – 12 INLET 1 5/16” – 12 OUTLET (50 SERIES)
SB	=	PORTS 1 5/8” – 12 INLET 1 5/8” – 12 OUTLET (50 SERIES)

PRODUCT LIST

EFFECTIVE: APRIL 1, 2011



PRINCE PTO PUMPS

PART No.	DESCRIPTION				
HC PTO 1A	21	US GPM @	540 RPM	1 3 / 8"	6 TOOTH SPLINE
HC PTO 2A	11.4	US GPM @	540 RPM	1 3 / 8"	6 TOOTH SPLINE
HC PTO 3A	22.4	US GPM @	1000 RPM	1 3 / 8"	21 TOOTH SPLINE
HC PTO 7A	7.1	US GPM @	540 RPM	1 3 / 8"	6 TOOTH SPLINE

PTO GEARBOXES – 2:1 SPEED INCREASER

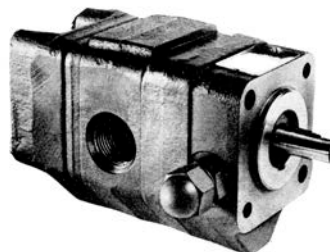
PART No.	DESCRIPTION				
RMLT3 – F2	GROUP 3 MOUNT	1000 RPM	1 3 / 8"	21 TOOTH SPLINE	

PTO GEARBOXES – 3:1 SPEED INCREASER

PART No.	DESCRIPTION				
RML32F - QR	GROUP 2 MOUNT	540 RPM	1 3 / 8"	6 TOOTH SPLINE	
CML32F - A/RD33A	SAE "A" MOUNT	540 RPM	1 3 / 8"	6 TOOTH SPLINE	
RML32F - 2	GROUP 2 MOUNT	540 RPM	1 3 / 8"	6 TOOTH SPLINE	
RMLT2 - M3	GROUP 2 MOUNT	540 RPM	1 3 / 8"	6 TOOTH SPLINE	
CML51B - F/RD52B	SAE "B" MOUNT	540 RPM	1 3 / 8"	6 TOOTH SPLINE	
RML3F	GROUP 3 MOUNT	540 RPM	1 3 / 8"	6 TOOTH SPLINE	
RML32F – 21T	GROUP 2 MOUNT	1000 RPM	1 3 / 8"	21 TOOTH SPLINE	
RMLT3 – 21T	GROUP 3 MOUNT	1000 RPM	1 3 / 8"	21 TOOTH SPLINE	

*** F = FEMALE SPLINE M = MALE SPLINE

MTE HI-LO PUMPS AND ACCESSORIES



PART No.	DESCRIPTION				
4081 *	11 US GPM @	3600 RPM – SUIT	5 HP	PETROL ENG	
4171 **	22 US GPM @	3600 RPM – SUIT	10 HP	PETROL ENG	
BF 310	BELL HOUSING – PUMP	4171			
BF 4	BELL HOUSING – PUMP	4081	3 HP TO 5.50 HP		
COUPLING *	REFER TO LOVEJOY RANGE – L075 x 0.437" / 0.750"				
COUPLING **	REFER TO SG COUPLING RANGE				

PRODUCT LIST

EFFECTIVE: APRIL 1, 2011



HAND PUMPS – SINGLE ACTING – WITH TANK

PART No.	TANK CAPACITY	MAX. PRESSURE BAR	DELIVERY CC/CYCLE
PMS 12S1	1 LITRE	350	12
PMS 25S1	1 LITRE	300	25
PMS 45S1	1 LITRE	270	45



HAND PUMPS – DOUBLE ACTING – WITH TANK

PART No.	TANK CAPACITY	MAX. PRESSURE BAR	DELIVERY CC/CYCLE
PMI 12S1	1 LITRE	350	12
PMI 25S1	1 LITRE	300	25
PMI 45S1	1 LITRE	270	45

HAND PUMP TANKS (INCREASED CAPACITIES)

PART No.	TANK CAPACITY
----------	---------------

ADD TO HAND PUMP PRICE ABOVE:

514569	2 LITRE
514578	3 LITRE
514587	5 LITRE
514541	7 LITRE
514550	10 LITRE

